



IEC 62852

Edition 1.0 2014-11

INTERNATIONAL STANDARD

NORME INTERNATIONALE

Connectors for DC-application in photovoltaic systems – Safety requirements and tests

Connecteurs pour applications en courant continu pour systèmes photovoltaïques – Exigences de sécurité et essais



THIS PUBLICATION IS COPYRIGHT PROTECTED

Copyright © 2014 IEC, Geneva, Switzerland

All rights reserved. Unless otherwise specified, no part of this publication may be reproduced or utilized in any form or by any means, electronic or mechanical, including photocopying and microfilm, without permission in writing from either IEC or IEC's member National Committee in the country of the requester. If you have any questions about IEC copyright or have an enquiry about obtaining additional rights to this publication, please contact the address below or your local IEC member National Committee for further information.

Droits de reproduction réservés. Sauf indication contraire, aucune partie de cette publication ne peut être reproduite ni utilisée sous quelque forme que ce soit et par aucun procédé, électronique ou mécanique, y compris la photocopie et les microfilms, sans l'accord écrit de l'IEC ou du Comité national de l'IEC du pays du demandeur. Si vous avez des questions sur le copyright de l'IEC ou si vous désirez obtenir des droits supplémentaires sur cette publication, utilisez les coordonnées ci-après ou contactez le Comité national de l'IEC de votre pays de résidence.

IEC Central Office
3, rue de Varembe
CH-1211 Geneva 20
Switzerland

Tel.: +41 22 919 02 11
Fax: +41 22 919 03 00
info@iec.ch
www.iec.ch

About the IEC

The International Electrotechnical Commission (IEC) is the leading global organization that prepares and publishes International Standards for all electrical, electronic and related technologies.

About IEC publications

The technical content of IEC publications is kept under constant review by the IEC. Please make sure that you have the latest edition, a corrigenda or an amendment might have been published.

IEC Catalogue - webstore.iec.ch/catalogue

The stand-alone application for consulting the entire bibliographical information on IEC International Standards, Technical Specifications, Technical Reports and other documents. Available for PC, Mac OS, Android Tablets and iPad.

IEC publications search - www.iec.ch/searchpub

The advanced search enables to find IEC publications by a variety of criteria (reference number, text, technical committee,...). It also gives information on projects, replaced and withdrawn publications.

IEC Just Published - webstore.iec.ch/justpublished

Stay up to date on all new IEC publications. Just Published details all new publications released. Available online and also once a month by email.

Electropedia - www.electropedia.org

The world's leading online dictionary of electronic and electrical terms containing more than 30 000 terms and definitions in English and French, with equivalent terms in 14 additional languages. Also known as the International Electrotechnical Vocabulary (IEV) online.

IEC Glossary - std.iec.ch/glossary

More than 55 000 electrotechnical terminology entries in English and French extracted from the Terms and Definitions clause of IEC publications issued since 2002. Some entries have been collected from earlier publications of IEC TC 37, 77, 86 and CISPR.

IEC Customer Service Centre - webstore.iec.ch/csc

If you wish to give us your feedback on this publication or need further assistance, please contact the Customer Service Centre: csc@iec.ch.

A propos de l'IEC

La Commission Electrotechnique Internationale (IEC) est la première organisation mondiale qui élabore et publie des Normes internationales pour tout ce qui a trait à l'électricité, à l'électronique et aux technologies apparentées.

A propos des publications IEC

Le contenu technique des publications IEC est constamment revu. Veuillez vous assurer que vous possédez l'édition la plus récente, un corrigendum ou amendement peut avoir été publié.

Catalogue IEC - webstore.iec.ch/catalogue

Application autonome pour consulter tous les renseignements bibliographiques sur les Normes internationales, Spécifications techniques, Rapports techniques et autres documents de l'IEC. Disponible pour PC, Mac OS, tablettes Android et iPad.

Recherche de publications IEC - www.iec.ch/searchpub

La recherche avancée permet de trouver des publications IEC en utilisant différents critères (numéro de référence, texte, comité d'études,...). Elle donne aussi des informations sur les projets et les publications remplacées ou retirées.

IEC Just Published - webstore.iec.ch/justpublished

Restez informé sur les nouvelles publications IEC. Just Published détaille les nouvelles publications parues. Disponible en ligne et aussi une fois par mois par email.

Electropedia - www.electropedia.org

Le premier dictionnaire en ligne de termes électroniques et électriques. Il contient plus de 30 000 termes et définitions en anglais et en français, ainsi que les termes équivalents dans 14 langues additionnelles. Egalement appelé Vocabulaire Electrotechnique International (IEV) en ligne.

Glossaire IEC - std.iec.ch/glossary

Plus de 55 000 entrées terminologiques électrotechniques, en anglais et en français, extraites des articles Termes et Définitions des publications IEC parues depuis 2002. Plus certaines entrées antérieures extraites des publications des CE 37, 77, 86 et CISPR de l'IEC.

Service Clients - webstore.iec.ch/csc

Si vous désirez nous donner des commentaires sur cette publication ou si vous avez des questions contactez-nous: csc@iec.ch.



IEC 62852

Edition 1.0 2014-11

INTERNATIONAL STANDARD

NORME INTERNATIONALE

Connectors for DC-application in photovoltaic systems – Safety requirements and tests

Connecteurs pour applications en courant continu pour systèmes photovoltaïques – Exigences de sécurité et essais

INTERNATIONAL
ELECTROTECHNICAL
COMMISSION

COMMISSION
ELECTROTECHNIQUE
INTERNATIONALE

PRICE CODE
CODE PRIX



ICS 27.160

ISBN 978-2-8322-1898-3

**Warning! Make sure that you obtained this publication from an authorized distributor.
Attention! Veuillez vous assurer que vous avez obtenu cette publication via un distributeur agréé.**

CONTENTS

| | |
|--|----|
| FOREWORD | 4 |
| 1 Scope | 6 |
| 2 Normative references | 6 |
| 3 Terms and definitions | 8 |
| 4 Classification | 12 |
| 4.1 General | 12 |
| 4.2 Type of connector | 12 |
| 4.3 Additional characteristics | 12 |
| 5 Constructional requirements and performance | 13 |
| 5.1 General | 13 |
| 5.2 Marking and identification | 13 |
| 5.2.1 Identification | 13 |
| 5.2.2 Marking | 13 |
| 5.2.3 Technical documentation | 13 |
| 5.3 Provision against incorrect mating (non-intermateable) | 14 |
| 5.4 Protection against electric shock | 14 |
| 5.5 Terminations and connection methods | 14 |
| 5.6 Resistance to deterioration | 15 |
| 5.7 General design | 15 |
| 5.8 Design of a free connector | 15 |
| 5.9 Degree of protection (IP Code) | 16 |
| 5.10 Dielectric strength | 16 |
| 5.11 Mechanical and electrical durability | 16 |
| 5.12 Range of ambient temperature | 16 |
| 5.13 Temperature rise | 16 |
| 5.14 Cable anchorage | 16 |
| 5.15 Mechanical strength | 17 |
| 5.16 Connector without locking device | 17 |
| 5.17 Connector with locking device | 17 |
| 5.18 Clearances and creepage distances | 17 |
| 5.18.1 General | 17 |
| 5.18.2 Clearances | 18 |
| 5.18.3 Creepage distances | 18 |
| 5.19 Insulation parts | 20 |
| 5.19.1 General | 20 |
| 5.19.2 Outer accessible parts | 20 |
| 5.19.3 Inner parts | 20 |
| 5.20 Current carrying parts and resistance against corrosion | 20 |
| 6 Tests | 20 |
| 6.1 General | 20 |
| 6.2 Preparation of specimens | 21 |
| 6.3 Performance of tests | 22 |
| 6.3.1 General | 22 |
| 6.3.2 Durability of marking | 23 |
| 6.3.3 Protection against electric shock | 23 |
| 6.3.4 Temperature rise | 23 |

| | | |
|--------------|---|----|
| 6.3.5 | Mechanical operation..... | 23 |
| 6.3.6 | Bending (flexing) test (see IEC 60309-1:1999, 24.4)..... | 24 |
| 6.3.7 | Measurement of clearances and creepage distances | 25 |
| 6.3.8 | Dielectric strength..... | 25 |
| 6.3.9 | Corrosion test..... | 26 |
| 6.3.10 | Mechanical strength at lower temperatures..... | 26 |
| 6.3.11 | Change of temperature (IEC 60068-2-14 test Na) | 26 |
| 6.3.12 | Damp heat test | 26 |
| 6.3.13 | Insertion and withdrawal force | 27 |
| 6.3.14 | Effectiveness of connector coupling device..... | 27 |
| 6.3.15 | Terminations and connecting methods..... | 27 |
| 6.4 | Test schedule (routine test) for non-rewirable free connectors | 28 |
| 6.5 | Test schedule | 28 |
| Annex A | (informative) Warning symbols used on connectors | 35 |
| Annex B | (normative) Measurement of clearances and creepage distances..... | 36 |
| Bibliography | | 40 |
| Figure 1 | – Device for the bending test..... | 25 |
| Figure A.1 | – Symbol "DO NOT DISCONNECT UNDER LOAD" | 35 |
| Figure A.2 | – Symbol "DO NOT DISCONNECT UNDER LOAD" (IEC 60417-6070) | 35 |
| Figure B.1 | – Examples of methods of measuring clearances and creepage distances..... | 39 |
| Table 1 | – Values for cable anchorage testing..... | 17 |
| Table 2 | – Rated impulse voltages and minimum clearances..... | 18 |
| Table 3 | – Creepage distances for basic insulation. | 19 |
| Table 4 | – Plan of specimens required for tests..... | 21 |
| Table 5 | – Values of torque for screw-type clamping units..... | 22 |
| Table 6 | – Mechanical test group A (test group A are separate tests)..... | 28 |
| Table 7 | – Service life test group B | 29 |
| Table 8 | – Service life test group C | 30 |
| Table 9 | – Thermal test group D (mated test specimen) | 31 |
| Table 10 | – Climatic test group E (mated test specimen)..... | 32 |
| Table 11 | – Degree of protection, test group F | 33 |
| Table 12 | – Insulation material, test group G..... | 34 |
| Table B.1 | – Dimensions of X..... | 36 |

INTERNATIONAL ELECTROTECHNICAL COMMISSION

**CONNECTORS FOR DC-APPLICATION IN PHOTOVOLTAIC SYSTEMS –
SAFETY REQUIREMENTS AND TESTS**

FOREWORD

- 1) The International Electrotechnical Commission (IEC) is a worldwide organization for standardization comprising all national electrotechnical committees (IEC National Committees). The object of IEC is to promote international co-operation on all questions concerning standardization in the electrical and electronic fields. To this end and in addition to other activities, IEC publishes International Standards, Technical Specifications, Technical Reports, Publicly Available Specifications (PAS) and Guides (hereafter referred to as "IEC Publication(s)"). Their preparation is entrusted to technical committees; any IEC National Committee interested in the subject dealt with may participate in this preparatory work. International, governmental and non-governmental organizations liaising with the IEC also participate in this preparation. IEC collaborates closely with the International Organization for Standardization (ISO) in accordance with conditions determined by agreement between the two organizations.
- 2) The formal decisions or agreements of IEC on technical matters express, as nearly as possible, an international consensus of opinion on the relevant subjects since each technical committee has representation from all interested IEC National Committees.
- 3) IEC Publications have the form of recommendations for international use and are accepted by IEC National Committees in that sense. While all reasonable efforts are made to ensure that the technical content of IEC Publications is accurate, IEC cannot be held responsible for the way in which they are used or for any misinterpretation by any end user.
- 4) In order to promote international uniformity, IEC National Committees undertake to apply IEC Publications transparently to the maximum extent possible in their national and regional publications. Any divergence between any IEC Publication and the corresponding national or regional publication shall be clearly indicated in the latter.
- 5) IEC itself does not provide any attestation of conformity. Independent certification bodies provide conformity assessment services and, in some areas, access to IEC marks of conformity. IEC is not responsible for any services carried out by independent certification bodies.
- 6) All users should ensure that they have the latest edition of this publication.
- 7) No liability shall attach to IEC or its directors, employees, servants or agents including individual experts and members of its technical committees and IEC National Committees for any personal injury, property damage or other damage of any nature whatsoever, whether direct or indirect, or for costs (including legal fees) and expenses arising out of the publication, use of, or reliance upon, this IEC Publication or any other IEC Publications.
- 8) Attention is drawn to the Normative references cited in this publication. Use of the referenced publications is indispensable for the correct application of this publication.
- 9) Attention is drawn to the possibility that some of the elements of this IEC Publication may be the subject of patent rights. IEC shall not be held responsible for identifying any or all such patent rights.

International Standard IEC 62852 has been prepared by IEC technical committee 82: Solar photovoltaic energy systems.

This International Standard is derived from EN 50521.

The text of this standard is based on the following documents:

| | |
|-------------|------------------|
| FDIS | Report on voting |
| 82/878/FDIS | 82/905/RVD |

Full information on the voting for the approval of this standard can be found in the report on voting indicated in the above table.

This publication has been drafted in accordance with the ISO/IEC Directives, Part 2.

IEC 62852:2014 © IEC 2014

– 5 –

The committee has decided that the contents of this publication will remain unchanged until the stability date indicated on the IEC web site under "<http://webstore.iec.ch>" in the data related to the specific publication. At this date, the publication will be

- reconfirmed,
- withdrawn,
- replaced by a revised edition, or
- amended.

CONNECTORS FOR DC-APPLICATION IN PHOTOVOLTAIC SYSTEMS – SAFETY REQUIREMENTS AND TESTS

1 Scope

This International Standard applies to connectors for use in the d.c. circuits of photovoltaic systems according to class II of IEC 61140:2001 with rated voltages up to 1 500 V d.c. and rated currents up to 125 A per contact.

This standard applies to connectors without breaking capacity but which might be engaged and disengaged under voltage.

This standard also applies to connectors which are intended to be built-in or integrated in enclosures of devices for photovoltaic systems. This standard may be used as a guide for connectors in photovoltaic systems of classes 0 and III according to IEC 61140:2001 as well as for protection for Class II equipment intended for use at less than 50 V d.c.

2 Normative references

The following documents, in whole or in part, are normatively referenced in this document and are indispensable for its application. For dated references, only the edition cited applies. For undated references, the latest edition of the referenced document (including any amendments) applies.

IEC 60050 (all parts): *International Electrotechnical Vocabulary* (available at <http://www.electropedia.org>)

IEC 60060-1:2010, *High-voltage test techniques – Part 1: General definitions and test requirements*

IEC 60068-1:2013, *Environmental testing – Part 1: General and guidance*

IEC 60068-2-14:2009, *Environmental testing – Part 2-14: Tests – Test N: Change of temperature*

IEC 60068-2-75:1997, *Environmental testing – Part 2-75: Tests – Test Eh: Hammer tests*

IEC 60068-2-78:2012, *Environmental testing – Part 2-78: Tests – Test Cab: Damp heat, steady state*

IEC 60228:2004, *Conductors of insulated cables*

IEC 60309-1:1999, *Plugs, socket-outlets and couplers for industrial purposes – Part 1: General requirements*

IEC 60352-2:2006, *Solderless connections – Part 2: Solderless crimped connections – General requirements, test methods and practical guidance*

IEC 60352-3:1993, *Solderless connections – Part 3: Solderless accessible insulation displacement connections – General requirements, test methods and practical guidance*

IEC 62852:2014 © IEC 2014

– 7 –

IEC 60352-4:1994, *Solderless connections – Part 4: Solderless non-accessible insulation displacement connections – General requirements, test methods and practical guidance*

IEC 60352-5:2012, *Solderless connections – Part 5: Press-in connections – General requirements, test methods and practical guidance*

IEC 60352-6:1997, *Solderless connections – Part 6: Insulation piercing connections – General requirements, test methods and practical guidance*

IEC 60352-7:2002, *Solderless connections – Part 7: Spring clamp connections – General requirements, test methods and practical guidance*

IEC 60364-7-712:2002, *Electrical installations of buildings – Part 7-712: Requirements for special installations or locations – Solar photovoltaic (PV) power supply systems*

IEC 60512 (all parts), *Connectors for electronic equipment – Tests and measurements*

IEC 60512-1:2001, *Connectors for electronic equipment – Tests and measurements – Part 1: General*

IEC 60512-11-7:2003, *Electromechanical components for electronic equipment – Basic testing procedures and measuring methods – Part 11-7: Climatic tests – Test 11g: Flowing mixed gas corrosion test*

IEC 60529:1989, *Degrees of protection provided by enclosures (IP Code)*

IEC 60664-1:2007, *Insulation coordination for equipment within low voltage systems – Part 1: Principles, requirements and tests*

IEC 60695-2-11:2014, *Fire hazard testing – Part 2-11: Glowing/hot-wire based test methods - Glow-wire flammability test method for end-products (GWEPT)*

IEC 60695-11-10:2013, *Fire hazard testing – Part 11-10: Test flames – 50 W horizontal and vertical flame test methods*

IEC TR 60943:1998, *Guidance concerning the permissible temperature rise for parts of electrical equipment, in particular for terminals*

IEC 60998-2-3:2002, *Connecting devices for low-voltage circuits for household and similar purposes – Part 2-3: Particular requirements for connecting devices as separate entities with insulation-piercing clamping units*

IEC 60999-1:1999, *Connecting devices – Electrical copper conductors – Safety requirements for screw-type and screwless-type clamping units – Part 1: General requirements and particular requirements for clamping units for conductors from 0,2 mm² up to 35 mm² (included)*

IEC 60999-2:2003, *Connecting devices – Electrical copper conductors – Safety requirements for screw-type and screwless-type clamping units – Part 2: Particular requirements for clamping units for conductors above 35 mm² up to 300 mm² (included)*

IEC 61032:1997, *Protection of persons and equipment by enclosures – Probes for verification*

IEC 61140:2001, *Protection against electric shock – Common aspects for installation and equipment*

IEC 61210: 2010, *Connecting devices – Flat quick-connect terminations for electrical copper conductors – Safety requirements*

IEC 61215:2005, *Crystalline silicon terrestrial photovoltaic (PV) modules – Design qualification and type approval*

IEC 61984:2008, *Connectors – Safety requirements and tests*

IEC 62444:2010, *Cable glands for electrical installations*

IEC TS 62548, *Photovoltaic (PV) arrays – Design requirements*

ISO 4892-2, *Plastics – Methods of exposure to laboratory light sources – Part 2: Xenon-arc sources*

ISO 4892-3, *Plastics – Methods of exposure to laboratory light sources – Part 3: Fluorescent UV-lamps*

ISO 6988:1985, *Metallic and other non organic coatings – Sulfur dioxide test with general condensation of moisture*

3 Terms and definitions

For the purposes of this document, the terms and definitions given in IEC 60050-581, IEC 60050-826, IEC 60309-1, IEC 60664-1, IEC 60999-1 and IEC 61140, as well as the following apply.

3.1

connector

component which terminates conductors for the purpose of providing connection to and disconnection from a suitable mating component

[SOURCE: IEC 60050-581:2008, 581-06-01]

3.2

multi-way connector

connector with more than one contact

Note 1 to entry: Multiple single-way connectors used in a PV-junction box are not to be regarded as a multi-way connector according to this standard.

3.3

connector under voltage

CuV

connector specially designed to be engaged or disengaged in normal use when live but not under load

Note 1 to entry: In this standard, the term "live" is used if contacts are under an applied voltage, but not necessarily carrying current. The term "load" is used if a current is flowing through the contacts.

3.4

connector without breaking capacity

COC

connector which is not allowed to be engaged or disengaged in normal use when live or under load

[SOURCE: IEC 60050-581:2008, 581-27-73]

3.5 type of connector

3.5.1

free connector

connector for attachment to the free end of a wire or cable

[SOURCE: IEC 60050-581:2008, 581-06-12]

3.5.2

built-in connector

a pre-manufactured connector that is subsequently integrated into an enclosure

3.5.3

integrated connector

a connector assembly that is manufactured as an integral component during enclosure fabrication

3.6

non-rewirable connector

connector so constructed that the cable cannot be separated from the connector without making it permanently useless

[SOURCE: IEC 60309-1:1999, 2.5, modified]

3.7

connector for Class II equipment

connector in which the protection against indirect contact is realised by double or reinforced insulation

Note 1 to entry: Class II according to IEC 61140.

3.8

intended use

application conditions of connectors which are included within the permissible rated values and environmental conditions and characteristics assigned by the manufacturer

3.9

interlock

device, either electrical or mechanical, which prevents the contacts of a connector from becoming live before it is in proper engagement with its counterpart, and which either prevents the connector from being withdrawn while its contacts are live or makes the contacts dead before separation

[SOURCE: IEC 60309-1:1999, 2.9, modified]

3.10

cycle of mechanical operation

one insertion and one withdrawal of the connector with his counterpart

3.11

clamping unit

part(s) of the terminal necessary for the mechanical clamping and the electrical connection of the conductor(s), including the parts which are necessary to ensure the correct contact pressure

[SOURCE: IEC 60999-1:1999, 3.1]

3.12

upper limiting temperature

maximum temperature of a connector as defined by the manufacturer, in which the connector is intended to operate

Note 1 to entry: The abbreviation ULT is often used.

3.13

ambient temperature

maximum temperature of the ambient assigned from the manufacturer, in which the connector is able to operate permanently without the upper limiting temperature being exceeded

3.14

lower limiting temperature

minimum temperature of a connector as defined by the manufacturer in which a connector is intended to operate

Note 1 to entry: The abbreviation LLT is often used.

3.15

clearance

the shortest distance in air between two conductive parts

[SOURCE: IEC 60664-1:2007, 1.3.2]

3.16

creepage distance

shortest distance along the surface of the insulating material between two conductive parts

[SOURCE: IEC 60664-1:2007, 1.3.3]

3.17

overvoltage category

numeral defining a transient overvoltage condition

[SOURCE: IEC 60664-1:2007, 1.3.10]

3.18

pollution

any addition of foreign matter, solid, liquid, or gaseous, that can result in a reduction of electric strength or surface resistivity of the insulation

[SOURCE: IEC 60664-1:2007, 1.3.11]

3.19

pollution degree

numeral characterising the expected pollution of the micro-environment

[SOURCE: IEC 60664-1:2007, 1.3.13]

3.20

rated voltage

value of voltage assigned by the manufacturer to the connector and to which operation and performance characteristics are referred

Note 1 to entry: Rated voltage is equivalent to the rated system voltage according to IEC 61730-1.

[SOURCE: IEC 60664-1:2007, 1.3.9, modified]

3.21

rated insulation voltage

r.m.s. withstand voltage value assigned by the manufacturer to the connector, characterising the specified (long term) withstand capability of its insulation

Note 1 to entry: The rated insulation voltage is not necessarily equal to the rated voltage, which is primarily related to functional performance.

[SOURCE: IEC 60664-1:2007, 1.3.9.1, modified]

3.22

rated impulse voltage

impulse withstand voltage value assigned by the manufacturer to the connector, characterising the specified withstand capability of its insulation against transient overvoltages

[SOURCE: IEC 60664-1:2007, 1.3.9.2, modified]

3.23

impulse withstand voltage

highest peak value of impulse voltage, of prescribed form and polarity which does not cause breakdown of the insulation under specified conditions

Note 1 to entry: The impulse withstand voltage is equal to or higher than the rated impulse voltage.

[SOURCE: IEC 60664-1:2007, 1.3.8.1]

3.24

r.m.s. withstand voltage

power-frequency withstand voltage

highest r.m.s. value of a voltage which does not cause breakdown of the insulation under specified conditions

[SOURCE: IEC 60664-1:2007, 1.3.8.2]

3.25

rated current

current value assigned by the manufacturer, which the connector can carry continuously (without interruption) and simultaneously through all its contacts wired with the largest specified conductor, preferably at an ambient temperature of 85 °C, without the upper limiting temperature being exceeded

Note 1 to entry: If other ambient temperature values are used for the definition of the rated current, the manufacturer should state in the technical documentation the ambient temperature on which the rating is based, with reference, if appropriate, to the derating curve defined in IEC 60512-5-2, test 5b.

3.26

functional insulation

insulation between conductive parts which is necessary only for the proper functioning of the equipment

[SOURCE: IEC 60664-1:2007, 1.3.17.1]

3.27

basic insulation

insulation applied to live parts to provide basic protection against electric shock

Note 1 to entry: Basic insulation does not necessarily include insulation used exclusively for functional purposes (see IEC 61140:2001, 3.10.1).

[SOURCE: IEC 60664-1:2007, 1.3.17.2]

**3.28
supplementary insulation**

independent insulation applied in addition to basic insulation, in order to provide protection against electric shock in the event of a failure of basic insulation (see IEC 61140:2001, 3.10.2)

[SOURCE: IEC 60664-1:2007, 1.3.17.3]

**3.29
double insulation**

insulation comprising both basic insulation and supplementary insulation (see IEC 61140:2001, 3.10.3)

[SOURCE: IEC 60664-1:2007, 1.3.17.4]

**3.30
reinforced insulation**

single insulation system applied to live parts, which provides a degree of protection against electric shock equivalent to double insulation under the conditions specified in the relevant IEC standard (see IEC 61140:2001, 3.10.4)

Note 1 to entry: A single insulation system does not imply that the insulation is a homogeneous piece. It may comprise several layers which cannot be tested separately as basic or supplementary insulation.

[SOURCE: IEC 60664-1:2007, 1.3.17.5]

**3.31
internal insulation**

part of basic insulation providing the required clearance and creepage distances inside a conductive housing or enclosure

4 Classification

4.1 General

In order to apply the relevant test requirements, connectors shall be classified by the manufacturer's specification, according to their intended use under consideration of class II, according to IEC 61140 and characteristics, as set out below.

4.2 Type of connector

- a) Free connector.
- b) Built-in connector.
- c) Integrated connector.

4.3 Additional characteristics

- a) Connector with cable anchorage.
- b) IP-code of a connector according to IEC 60529.
- c) Connector for Class II equipment.
- d) Non-rewirable connector.
- e) Rewirable connector.
- f) Terminations and connection methods.

5 Constructional requirements and performance

5.1 General

This standard does not define electrical rating values for voltage and current. These values are assigned by the manufacturer.

Connectors shall be suitable for durable outdoor use in an ambient temperature area from -40 °C to $+85\text{ °C}$.

Multi-way connectors shall be designed so that these requirements for earth-faulted and short-circuit-proofed installation complies with IEC TS 62548 or IEC 60364-7-712.

Compliance with the requirements is verified by the specified tests of this standard.

5.2 Marking and identification

5.2.1 Identification

Connectors shall be identified and characterised by the following:

- a) manufacturer's name, trademark or mark of origin;
- b) type reference (for example, the catalogue number);
- c) rated current in amperes (A);
- d) rated voltages or rated insulation voltages between line to earth and line to line in volts (V);
- e) rated impulse voltage in kilovolts (kV), if specified;
- f) pollution degree;
- g) degree of protection by enclosure according to IEC 60529;
- h) range of temperature (ULT and LLT, maximum ambient temperature);
- i) type of terminals;
- j) connectable conductors;

NOTE For current capacity of cables and wires, see IEC 60364-5-52.

- k) reference to this standard or to the Detail Specification (DS), if applicable;
- l) symbols „Do not disconnect under load“, as given in Annex A; alternatively an adequate warning notice can be found in particular national language;
- m) polarity of connector, if applicable.

5.2.2 Marking

The marking shall be indelible and easily legible.

The minimum marking on the connector shall be that of item a), l) and m) in 5.2.1.

Symbol or warning notice listed in l) of 5.2.1 shall be imprinted or labelled close to connector. A notice to attach the label shall be given in technical documentation.

Markings a) and b) of 5.2.1 shall be applied on the smallest package unit.

5.2.3 Technical documentation

Identification items of 5.2.1 not marked on the connector according to 5.2.2 and the following information shall be given in the technical documentation of the manufacturer:

- a) information regarding the type of cable suitable for termination, if applicable;
- b) information regarding mounting, if applicable;
- c) assembly information such as required tooling (part number) by manufacturer, if applicable.

5.3 Provision against incorrect mating (non-intermateable)

A multi-way connector shall be so designed that contact between live contacts of different polarity is not possible by engagement.

Compliance shall be tested by performing a polarisation test (see A3 of Table 6).

5.4 Protection against electric shock

5.4.1 A connector shall be so designed that, after mounting, its live parts are not accessible by the IEC test finger in accordance with IEC 60529.

5.4.2 Protection against electric shock shall be ensured also during insertion and withdrawal. Compliance shall be tested by the IEC test probe 11 in accordance with IEC 61032.

5.5 Terminations and connection methods

This standard applies to the following terminations and connection methods:

- | | |
|--|--|
| a) crimped connections | according to IEC 60352-2 |
| b) insulation displacement connections | according to IEC 60352-3 (accessible IDC) or IEC 60998-2-3 |
| c) insulation displacement connections | according to IEC 60352-4 (non-accessible IDC) or IEC 60998-2-3 |
| d) press-in connections | according to IEC 60352-5 |
| e) insulation piercing connections | according to IEC 60352-6 or IEC 60998-2-3 |
| f) screwless-type clamping units | according to IEC 60999-1 or IEC 60999-2 or IEC 60352-7 |
| g) screw-type clamping units | according to IEC 60999-1 or IEC 60999-2 |
| h) flat, quick-connect terminations | according to IEC 61210 |

As a minimum the applicable tests according to 6.3.15 shall be performed for all terminations and connection methods intended to be used.

Other terminations and connection methods shall be tested in accordance with the relevant standards.

Soldering and welding connections are also permitted.

Termination and connection methods shall provide sufficient means for retaining the conductor in position.

Electrical connections shall be so designed that the contact pressure is not transmitted through insulating material other than ceramic, pure mica or other material with characteristics not less suitable, unless there is sufficient resiliency in the metallic parts to compensate for any shrinkage or yielding of the insulating material (see IEC 60309-1:1999, 25.3 or IEC 60999-1:1999, Clause 7 or IEC 60999-2). Insulation piercing terminations and insulation displacement connections are excluded from this requirement because of the tests performed according to IEC 60352-6 or IEC 60998-2-3.

Precautions shall be taken to ensure that adequate contact pressure is maintained during connector lifetime.

To compensate for changes during use, (e.g. loosening at screw-type clamping units caused by thermal cycles) the use of a lock washer, spring washer or similar could be sufficient.

All terminations and connection methods shall be protected from mechanical and excessive thermal stress which could cause increased contact resistance.

5.6 Resistance to deterioration

If deterioration of specific parts might impair safety, the resistance of those parts to expected stresses shall be verified by the execution of the test program in Clause 6.

5.7 General design

5.7.1 Mechanisms which are used for mounting the connector and/or termination of conductors shall not be used to fix live parts in the connector housing, if it may impair the proper function of the mechanism or reduce the clearance and creepage distances below the requirements according to 5.18.

5.7.2 Connectors shall be so designed that connection of conductors of the type and cross-sectional areas as specified by the manufacturer is possible. Besides the termination of the conductor, care shall be taken that no damage of the insulation is possible, e.g. by avoiding sharp edges.

5.7.3 Cables connected to the connector shall be suitable for use in photovoltaic systems. The values of the rated current and the rated voltage shall have at least the rated values of the connector. Cables shall be flexible and the conductor shall be at least class 5 according to IEC 60228.

5.7.4 Non-rewirable connectors shall be so designed that:

- the flexible cable cannot be separated from the connector without making it permanently useless,
- the connector cannot be disassembled or parts of it cannot be removed by hand or by using a general purpose tool, for example a screwdriver, as intended,
- means are provided to prevent live parts, e.g. free strands of a conductor, from reducing the minimum insulation distance between such live parts and all accessible external surfaces of the connector, with the exception of the engagement face of the male connector,
- a connector becomes useless for further use when for the re-mounting, other parts than the original ones are necessary,
- connectors with non-rewirable terminations are also considered as rewirable, if they are reconstituted with original parts and with tools of the manufacturer, if applicable.

If this cannot be granted by the design or manufacturing process itself, the in-process test schedule according to 6.4 or another test of the same safety level shall be carried out.

5.8 Design of a free connector

In a free connector, the wires shall be protected against shear and tensile stress at the termination and be secured to prevent twisting.

This requirement does not apply to

- a) free connectors for termination to cables in fixed mountings (plug connection in the sense of a detachable connection),

- b) free connectors in which the termination is protected against pull and twisting mounting provisions in the end-use product.

5.9 Degree of protection (IP Code)

A connector shall have a degree of protection at least of IP55, according to IEC 60529.

Depending on the installation a higher degree of protection may be required.

5.10 Dielectric strength

A connector shall withstand the specified test voltage. Compliance is determined by the tests according to 6.3.8.

5.11 Mechanical and electrical durability

5.11.1 A connector shall meet the mechanical operations without load of 50 operating cycles.

5.11.2 A non-rewirable connector shall withstand number of bends as described in 6.3.6.

Compliance shall be checked by the execution of tests in 6.3.5 and 6.3.6.

5.12 Range of ambient temperature

A connector shall withstand the upper and lower values of temperature range as given in 5.2.1 or as specified by the manufacturer, if lower than the minimum value or higher than the maximum value as defined in 5.2.1.

Compliance is determined by the tests according to test program in Clause 6.

5.13 Temperature rise

The sum of the ambient temperature and the temperature rise of a connector shall not exceed the upper limiting temperature.

Compliance shall be checked by the execution of test 6.3.4.

5.14 Cable anchorage

The cable anchorage shall be suitable for the cable to be connected. The range of acceptable cable diameters shall be specified in the manufacturer's specification. Tensile and torsion requirements shall be as specified in Table 1.

Loose parts inserted to obtain clamping of the cable are permissible if they are fixed in the connector in the assembled state.

The cable anchorage can be made of insulating material or metal. If it consists of metal, it shall meet one of the following requirements:

- a) be provided with a covering of insulating material to prevent any accessible metal part becoming live in case of a fault;
- b) no contact shall be possible with the test finger according to IEC 60529.

Table 1 – Values for cable anchorage testing

| Cable diameter mm | Tensile requirements | | Torsion requirements | |
|----------------------|----------------------|--------------------------------|----------------------|------------------------|
| | Tensile force N | Permissible displacement mm | Torque Nm | Permissible angle ° |
| 4 up to 9 | 80 | 3 | 0,10 | ±30 |
| >9 up to 12 | 100 | | 0,15 | |
| >12 up to 20 | 120 | 5 | 0,6 | ±45 |
| >20 up to 33 | 150 | | 0,8 | |
| >33 up to 42 | 200 | | 0,9 | |
| >42 | 250 | | 1,2 | |

Compliance is checked by the execution of the test phase A6.1 and A6.2 of Table 6 with the values of Table 1.

For metric cable glands meeting the requirements of IEC 62444 the tests described in this subclause are not required.

5.15 Mechanical strength

5.15.1 A connector including its internal insulation shall show no damage likely to impair safety after exposure to mechanical stress according to Table 6.

5.15.2 In a connector assembled for final use, the contacts shall be securely retained in the contact insert.

5.16 Connector without locking device

Connectors without locking device or without snap-in device shall withstand a withdrawal force of at least 50 N.

Compliance shall be tested according to 6.3.13.

NOTE In some countries locking devices are required. Some countries also require locking devices which can be opened only by use of a tool.

5.17 Connector with locking device

Connectors with locking device or with snap-in device shall withstand a load of at least 80 N.

Compliance shall be tested according to 6.3.14.

5.18 Clearances and creepage distances

5.18.1 General

Clearances and creepage distances shall be dimensioned according to the following specifications.

For connectors the requirements for double insulation shall be met between energized and accessible parts in the engaged position.

For multi-way connectors the requirements for double or reinforced insulation shall be met between energized and accessible parts with different electrical potential in engaged and unengaged positions.

5.18.2 Clearances

Clearances through slots and openings in enclosures of insulating material shall be dimensioned according to Table 2.

Table 2 – Rated impulse voltages and minimum clearances

| Rated DC voltage V | Basic insulation | | Reinforced insulation | |
|-----------------------|---|-----------------|---|-----------------|
| | Rated impulse voltage kV (1,2/50 μs) | Clearance mm | Rated impulse voltage kV (1,2/50 μs) | Clearance mm |
| 100 | 1,5 | 0,5 | 2,5 | 1,5 |
| 150 | 2,5 | 1,5 | 4,0 | 3,0 |
| 300 | 4,0 | 3,0 | 6,0 | 5,5 |
| 600 | 6,0 | 5,5 | 8,0 | 8,0 |
| 1 000 | 8,0 | 8,0 | 12 | 14 |
| 1 500 | 10 | 11 | 16 | 19 |

Minimum values for pollution degree 2 is 0,2 mm and for pollution degree 3 is 0,8 mm.

NOTE Values are derived from IEC 60664-1:2007 for overvoltage category III and IEC TR 60664-2-1.

5.18.3 Creepage distances

5.18.3.1 General

Creepage distances between live parts and accessible surfaces shall be dimensioned for reinforced or double insulation according to Table 3 related to the rated voltage considering the pollution degree as specified in 5.18.3.2.

For relation between creepage distance and clearances see 5.2.2.6 of IEC 60664-1:2007.

Table 3 – Creepage distances for basic insulation

| Voltage (DC) V | Pollution degree 1 | Pollution degree 2 | | | Pollution degree 3 | | |
|----------------------|---------------------------|------------------------|-------------------------|--------------------------|------------------------|-------------------------|--------------------------|
| | All material groups mm | Material group I mm | Material group II mm | Material group III mm | Material group I mm | Material group II mm | Material group III mm |
| 25 | 0,125 | 0,5 | 0,5 | 0,5 | 1,3 | 1,3 | 1,3 |
| 50 | 0,18 | 0,6 | 0,9 | 1,2 | 1,5 | 1,7 | 1,9 |
| 100 | 0,25 | 0,71 | 1,0 | 1,4 | 1,8 | 2,0 | 2,2 |
| 150 | 0,31 | 0,8 | 1,1 | 1,6 | 2,0 | 2,2 | 2,5 |
| 200 | 0,42 | 1,0 | 1,4 | 2,0 | 2,5 | 2,8 | 3,2 |
| 300 | 0,70 | 1,5 | 2,1 | 3,0 | 3,8 | 4,2 | 4,7 |
| 600 | 1,7 | 3,0 | 4,3 | 6,0 | 7,6 | 8,6 | 9,5 |
| 1 000 | 3,2 | 5,0 | 7,1 | 10,0 | 12,5 | 14,0 | 16,0 |
| 1 500 | 5,2 | 7,5 | 10,4 | 15 | 18,9 | 20,9 | 23,6 |

Linear interpolation is allowed.

Values for reinforced or double insulation are twice the values for basic insulation.

NOTE Values are derived from IEC 60664 for overvoltage category III, some values are rounded.

5.18.3.2 Pollution degree

Creepage distances and clearances between hazardous live parts and accessible surfaces outside the enclosure shall be dimensioned according to pollution degree 3. Distances inside the enclosure shall be at least dimensioned for pollution degree 2.

5.18.3.3 Comparative tracking index (CTI)

Insulation materials are classified into four groups corresponding to their comparative tracking index (CTI), when tested in accordance with IEC 60112:

- Material Group I CTI \geq 600
- Material Group II 400 \leq CTI < 600
- Material Group IIIa 175 \leq CTI < 400
- Material Group IIIb 100 \leq CTI < 175

A material may be included in one of these four groups on the basis that the PTI, verified by the method of IEC 60112 using solution A, is not less than the lower value specified for the group.

The values specified for the groups are reference values and based on the test voltage of IEC 60112. The test voltage is not in relation to any voltage (system voltage, working voltage, etc.) of a PV module or system.

The test for comparative tracking index (CTI) in accordance with IEC 60112 is designed to compare the performance of various insulating materials under test conditions. It gives a qualitative comparison and in the case of insulating materials having a tendency to form tracks, it also gives a quantitative comparison.

5.19 Insulation parts

5.19.1 General

Insulating parts shall be so designed that they withstand the expected thermal requirements.

5.19.2 Outer accessible parts

Outer accessible parts consisting of isolating material whose deterioration could impair the safety of the connector shall meet following requirements:

- a) Flammability Class minimum HB, or V-2 according to IEC 60695-11-10. This shall be proved by a data sheet of the material supplier or by a test of the end-product.

Flammability V-1 or V-0 according to IEC 60695-11-10 are also acceptable.

- b) Weather resistance according to ISO 4892-2, method A or ISO 4892-3 with a total duration of 500 h. Dielectric strength according to 6.3.8 b) shall be fulfilled after the test.
- c) Glow wire test with 650 °C according to IEC 60695-2-11.

5.19.3 Inner parts

Inner parts consisting of isolating material retaining current carrying parts in position shall meet following requirements:

- a) Flammability Class minimum HB, or V-2 according to IEC 60695-11-10. This shall be proved by a data sheet of the material supplier or a test of the end-product.

Flammability V-1 or V-0 according to IEC 60695-11-10 are also acceptable.

- b) Isolating material shall have a CTI-value complying with the rated values of this standard according to IEC 60664-1.
- c) Glow wire test with 750 °C according to IEC 60695-2-11.

5.20 Current carrying parts and resistance against corrosion

5.20.1 Metal parts shall be so designed that corrosion shall not impair safety with regard to electrical and mechanical characteristics.

Compliance is checked by 6.3.9.

All current carrying parts shall consist of base metal and plating, such that under normal operation a sufficient mechanical strength, electrical conductivity and corrosion resistance as described in this standard are given.

5.20.2 Under wet ambient conditions all metal parts which have a difference of their electrochemical potentials more than 350 mV according to IEC/TR 60943 shall not be in contact with each other.

6 Tests

6.1 General

6.1.1 The tests shall be carried out in the sequence specified for each test group using the number of specimens as given in Table 4. For each test group a separate set of new specimens shall be used.

If designs of connectors require special tests or preparations which are not explicitly indicated in this standard they are chosen or carried out according to the manufacturers specification, e.g. mechanical locking during IP code testing.

Table 4 – Plan of specimens required for tests

| Reference table | Test group | Number of specimens |
|--|-------------------------------|---------------------|
| 6 | Group A: mechanical | One per test |
| 7 | Group B: service life | 3 |
| 8 | Group C: service life | 3 |
| 9 | Group D: thermal | 3 |
| 10 | Group E: climatic | 3 |
| 11 | Group F: degree of protection | 2 |
| 12 | Group G: isolating material | 3 |
| NOTE For a connector family of the same design and comparable size, tests may be only for that member of a family which represents the worst case for that test. | | |

6.1.2 A pair of connectors (male and female) or free contacts are defined as a specimen. Unless otherwise specified in the test program the unmated pair of connectors shall be tested

6.1.3 The tests shall be made under the standard atmospheric conditions of IEC 60068-1, unless otherwise specified in the test schedule.

6.1.4 The specimen is deemed not to comply with this standard if the specimen fails in more than one of the tests of any test group. If the specimen fails in one of the tests, this test and the preceding tests which may have affected its results shall be repeated on a new set of specimen. This new specimen shall pass the repeated tests, otherwise the product is deemed not to comply.

6.1.5 All visual examination tests shall be performed with the naked eye, unless otherwise specified.

6.2 Preparation of specimens

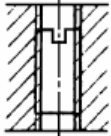
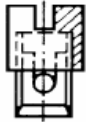
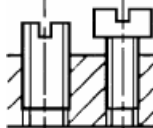
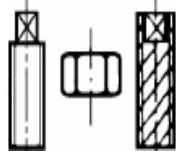

6.2.1 Specimens shall be pre-conditioned under standard conditions for testing, for a period of 24 h, in accordance with IEC 60512-1.

6.2.2 The tests shall be carried out with copper conductors unless otherwise specified by the manufacturer and with the type of conductor specified for the connector. If terminations are provided for all types of conductors, solid, stranded and flexible, the tests shall be carried out only with flexible conductors according to IEC 60228, Class 5.

6.2.3 Screw-type clamping units shall be tightened with the value of the torque stipulated in Table 5 according to IEC 60999-1 and IEC 60999-2 unless otherwise specified by the manufacturer.

6.2.4 Unless otherwise specified in the test schedule, all tests shall be made on the specimen completely assembled according to the manufacturer's instructions.

Table 5 – Values of torque for screw-type clamping units

| Nominal diameter of thread mm |  |  |  |  |  |
|----------------------------------|---|---|--|---|---|
| | I Nm | II Nm | III Nm | IV Nm | V Nm |
| ≤ 1,6 | | | 0,1 | 0,1 | |
| > 1,6 up to 2,0 | | | 0,2 | 0,2 | |
| > 2,0 up to 2,8 | 0,2 | | 0,4 | 0,4 | |
| > 2,8 up to 3,0 | 0,25 | | 0,5 | 0,5 | |
| > 3,0 up to 3,2 | 0,3 | | 0,6 | 0,6 | |
| > 3,2 up to 3,6 | 0,4 | | 0,8 | 0,8 | |
| > 3,6 up to 4,1 | 0,7 | 1,2 | 1,2 | 1,2 | 1,2 |
| > 4,1 up to 4,7 | 0,8 | 1,2 | 1,8 | 1,8 | 1,8 |
| > 4,7 up to 5,3 | 0,8 | 1,4 | 2,0 | 2,0 | 2,0 |
| > 5,3 up to 6,0 | 1,2 | 1,8 | 2,5 | 3,0 | 3,0 |
| > 6,0 up to 8,0 | 2,5 | 2,5 | 3,5 | 6,0 | 4,0 |
| > 8,0 up to 10,0 | | 3,5 | 4,0 | 10,0 | 6,0 |
| > 10,0 up to 12,0 | | 4,0 | | 14,0 | 8,0 |
| > 12,0 up to 15 | | 5,0 | | 19,0 | 10,0 |

Column I applies to screws without heads if the screw, when tightened, does not protrude from the screw hole and to other screws which cannot be tightened by means of a screwdriver with a blade wider than the diameter of the screw.

Column II applies to nuts of mantle clamping units which are tightened by means of a screwdriver.

Column III applies to other screws which are tightened by means of a screwdriver.

Column IV applies to screws and nuts, other than nuts of mantle clamping units, which are tightened by means other than a screwdriver.

Column V applies to nuts of mantle clamping units which can be tightened by means other than that of a screwdriver.

Where a screw has a hexagonal head with a slot and the values in columns III and IV are different, the test is made twice, first on a set of three specimens, applying to the hexagonal head the torque specified in column IV, and then to another set of three specimens, applying the torque specified in column III by means of a screwdriver. If the values in columns III and IV are the same, only the test with the screwdriver shall be made.

6.3 Performance of tests

6.3.1 General

In accordance with the test schedule given in 6.5, the general test methods specified in Tables 6 to 12, columns 3 and 7, shall be applied according to IEC 60512. Other tests are indicated in column 4.

6.3.2 Durability of marking

The test is made by rubbing the marking by hand for 15 s with a piece of cotton cloth soaked with water and again for 15 s with a piece of cotton cloth soaked in petroleum spirit.

Petroleum spirit is defined as the aliphatic solvent hexane with a content of aromatics of maximum 0,1 % volume, a kauri-butanol value of 29, initial boiling point of 65 °C, a dry point of 69 °C and a specific gravity of approximately 0,68 kg/l.

After this test, the marking shall be legible to normal or corrected vision without additional magnification.

This test shall be also carried out on an additional label with specified warning indication listed under l) from 5.2.1, if applicable.

Markings made by impression, moulding, pressing, or engraving or the like are not subjected to this test.

6.3.3 Protection against electric shock

6.3.3.1 Connectors shall be tested by the test probe 11 according to IEC 61032 using a test force of 10 N.

For the test all covers and housing parts which are detachable without a tool shall be removed.

6.3.3.2 The tests for the given IP code according to IEC 60529 shall be applied in the mated position.

Subsequently the dielectric strength test according to 6.3.8 shall be performed within 1 h of second IP numeral (water) test.

6.3.4 Temperature rise

The object of this test is to assess the ability of a connector to continuously carry the rated current without exceeding the upper limiting temperature.

The test shall be carried out according to test 5a of IEC 60512, under the following test conditions.

Test conditions:

- maximum permissible conductor cross-section according to manufacturer's specification. In case of a declared cross-section area with same rated current, the test will be applied to the most unfavourable cross-section;
- length of test cables = 500 mm ± 50 mm for cross-section ≤ 10 mm²;
- length of test cables = 1 000 mm ± 100 mm for cross-section > 10 mm²;
- the test shall be carried out with rated current as specified by the manufacturer at an ambient temperature of 85 °C or the maximum ambient temperature specified by manufacturer, if higher;
- the test shall be continued until a constant temperature is obtained.

6.3.5 Mechanical operation

The object of this test is to assess the mechanical operational endurance of a connector in the normal operational mode without electrical load. The test shall be carried out according to test 9a of IEC 60512, under the following conditions.

Test conditions:

- the specimens shall be engaged and disengaged by means of a device simulating normal operating conditions. The preparation and mounting of the specimen shall be as in normal use;
- the type and cross-section of the cable/wire bundle to be used shall be specified by the manufacturer;
- the speed of insertion and withdrawal shall be approximately 0,01 m/s with a rest in the unmated position of approximately 30 s.

6.3.6 Bending (flexing) test (see IEC 60309-1:1999, 24.4)

Non-rewirable connectors shall be subjected to a bending test in an apparatus similar to that shown in Figure 1.

The specimen is fixed to the oscillating member of the apparatus so that, when this is at the midpoint of its travel, the axis of the flexible cable, where it enters the specimen, is vertical and passes through the axis of oscillation.

The oscillating member is so positioned that the flexible cable makes a minimum lateral movement when the oscillating member of the test apparatus is moved over its full travel.

The cable is loaded with a weight such that the force applied is

- 20 N for non-rewirable connectors with a conductor cross-section $> 0,75 \text{ mm}^2$,
- 10 N for non-rewirable connectors with a conductor cross-section $\leq 0,75 \text{ mm}^2$.

A current equal to the rated current of the connector is passed through the conductors.

The oscillating member is moved backwards and forwards through an angle of 90° (45° on either side of the vertical). The rate of bends shall be 60 per minute. One bending is one movement, either backwards or forwards. The number of bends is 100.

Specimens with cables of circular cross-section shall be rotated approximately 90° around the vertical axis within the oscillating part after 50 % of flexings; specimens with flat flexible cables are only bent in a direction perpendicular to the plane containing the axis of the conductor.

During this test, there shall be no interruption of the test current.

After the test there shall be no damage; the cable support sleeve shall not be loosened from the body and the insulation shall show no signs of abrasion or of wear and tear. Broken strands shall not pierce the insulation, during the high voltage test according to 6.3.8.b) there shall be no breakdown of the test voltage.

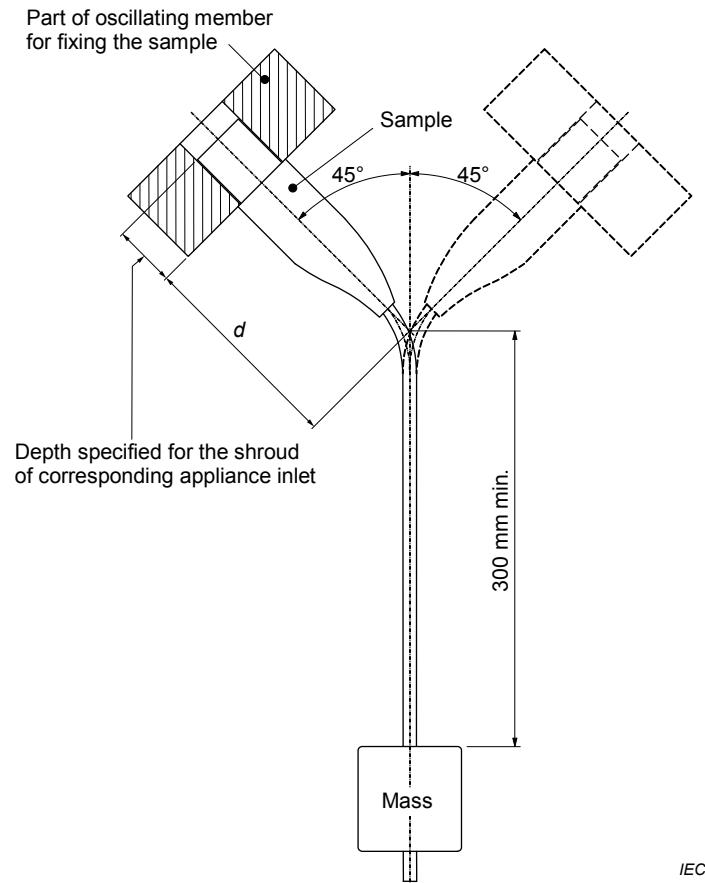


Figure 1 – Device for the bending test

6.3.7 Measurement of clearances and creepage distances

Clearances and creepage distances shall be measured according to Annex B with the following additional requirements.

For connectors without breaking capacity, clearances and creepage distances to the accessible surface shall be measured only in the mated position.

For multi-way connectors the requirements for double or reinforced isolation between active parts with different potential shall be determined in mated and unmated condition.

The surface of an unenclosed connector to be incorporated into an equipment or a device shall not be regarded as accessible, unless otherwise claimed by the manufacturer.

6.3.8 Dielectric strength

The test voltage has to be applied between the short circuited output terminals and a metal foil which is wrapped around the specimen after relevant conditioning. During dielectric strength test no breakdown of test voltage shall occur. The insulation shall be tested according to the following tests:

a) Impulse withstand test

The impulse withstand test shall be carried out with a voltage having a 1,2/50 μ s waveform according to IEC 60060-1 with three impulses of each polarity and an interval of at least 1 s between impulses. The output impedance of the impulse generator should not be higher than 500 Ω . The test voltage shall comply with the rated impulse voltage according to table 2.

b) Voltage proof (IEC 60512-4-1, test 4a)

The voltage proof shall be performed by applying a r.m.s. withstand voltage (50 Hz/60 Hz) with a r.m.s. value of 2 000 V + 4 times rated voltage. The test duration shall be 1 min.

Voltage proof can also be performed with DC voltage. For this the value of test voltage shall be equal to the amplitude value of AC voltage.

6.3.9 Corrosion test

For testing the protection of contacts against the influence of a corrosive atmosphere, one of the two alternative tests shall be selected. In both cases, the specimens shall be mated.

Test 1: Flowing mixed gas corrosion according to test 11g of IEC 60512, with a choice of method 1 or method 4 (see IEC 60512-11-7:2003, Table 1)

The test duration shall be four days.

Test 2: Sulphur dioxide test with general condensation of moisture according to ISO 6988.

The test duration shall be 24 h (1 test cycle).

6.3.10 Mechanical strength at lower temperatures

The specimens and the test apparatus shall be stored for 5 h at a temperature of -40 °C or the minimum ambient temperature specified by the manufacturer, if lower, on a steel plate of 20 mm thickness. The test shall be carried out immediately after the storage duration in the cold chamber.

Test shall be carried according to the following procedure:

Four impacts on the specimen, an energy of 1 J with an appropriate impact test apparatus according to IEC 60068-2-75 shall be carried out at four uniformly distributed positions on the circumference.

The test is passed successfully if no damage appeared which may impair the function of the connector and the dielectric strength test of 6.3.8 b) has been passed.

6.3.11 Change of temperature (IEC 60068-2-14 test Na)

The test shall be carried in climatic chamber without any pre-treatment of the specimens as follows:

- 30 min at upper specified ambient temperature, minimum $+85\text{ °C} \pm 2\text{ °C}$;
- 30 min at lower specified ambient temperature, maximum $-40\text{ °C} \pm 2\text{ °C}$;
- transfer duration $t_2 \leq 3\text{ min}$;
- number of test cycles: 200.

During thermal cycle test the rated current shall be applied such that it is conducted through the current-carrying contacts.

6.3.12 Damp heat test

The test shall be carried out according to IEC 60068-2-78 with the following test conditions:

Severity according to IEC 61215:2005, 10.13:

- test temperature: upper specified ambient temperature, minimum $+85\text{ °C} \pm 2\text{ °C}$
- relative humidity: $+85\% \pm 5\%$
- test duration: 1 000 h

6.3.13 Insertion and withdrawal force

The test shall be carried out with the relevant counterpart according to IEC 60512, test 13b.

The actuation speed shall be 50 mm/min.

The measured withdrawal force shall not be less than 50 N.

6.3.14 Effectiveness of connector coupling device

The test shall be carried out according to IEC 60512, test 15f.

The specified force of 80 N shall be applied in the direction of the separation of the mated pair with the rate of 10 N/s.

It shall not be possible to disengage the connector.

6.3.15 Terminations and connecting methods

The following applicable tests shall be conducted:

- a) for crimped connections,
visual tests on the crimp barrel and tensile strength test of the crimp connection as specified in IEC 60352-2. If deviations to IEC 60352-2 exist, the tensile strength according to IEC 60352-2 and the dimensions according to the manufactures specifications are tested to fulfil IEC 61984;
- b) and c) for insulation displacement connections,
visual examination is carried out on new parts for insulation displacement terminals according to IEC 60352-3:1993, 12.1 and for solderless non-accessible displacement terminals according to IEC 60352-4:1994, 12.2.4.
The electrical and thermal tests are carried out according to IEC 61984;
- d) for press-in connections,
visual and dimensional tests on the press-in post and test of the push-out force as specified in IEC 60352-5;
- e) insulation piercing connections according to IEC 60352-6 or IEC 60998-2-3;
- f) for the screwless-type clamping unit,
mechanical tests on the conductor connection as specified in IEC 60999-1 or IEC 60999-2 or IEC 60352-7;
- g) for the screw-type clamping unit,
mechanical tests on the conductor connection as specified in IEC 60999-1 or IEC 60999-2.
For prepared conductors the manufacturers instructions for the preparation applies;
- h) for flat, quick-connect terminations,
dimensional tests and safety tests as specified in IEC 61210 as far as applicable.

The dimensional test is carried out according to IEC 61210. The compliance check of dimensions is the verification of the safety of the connection according to IEC 61984. If the dimensions do not comply with the specification the test requirements are not met.

Flat, quick-connect terminations, which are definitely not designed according to IEC 61210 can be used if the test program according to IEC 61984 is met.

Electrical and thermal tests on terminations shall be carried out in conjunction with the test on the connector.

6.4 Test schedule (routine test) for non-rewirable free connectors

For non-rewirable free connectors, it shall be ensured that live parts, e.g. loose strands, cannot become accessible. If this cannot be ensured by design or by the manufacturing process, each manufactured connector shall be subjected to the following test.

The accessible outer surface of the connector, with the exception of the engagement face of the male connector, shall be scanned by plane electrodes with a force of 20 N and each time the specified impulse withstand voltage of the connector shall be applied between all live parts and these electrodes according to 6.3.8.

Alternatively, the specified r.m.s. withstand voltage according to 6.3.8 shall be applied for a minimum of three full cycles (60 ms).

No breakdown or flashover shall occur.

6.5 Test schedule

Table 6 – Mechanical test group A (test group A are separate tests)

| 1 Test phase | 2 Designation | 3 IEC 60512 test no. | 4 Test according to | 5 Severity or conditions | 6 Measurements to be performed | | 7 Requirements |
|-----------------|-----------------------------------|-------------------------|------------------------|---|------------------------------------|--------------------|--|
| | | | | | Designation or title | IEC 60512 test no. | |
| A1.1 | | | | Any existing cover shall be removed, if required | Visual and dimensional examination | 1a, 1b | 5.2.3 Dimensions shall comply with the manufacturer's specification |
| A1.2 | Clearances and creepage distances | | 6.3.7 | Measuring of creepage distances and clearances according to annex B | Dimensional examination | | 5.18 Dimensions shall comply with 5.18 |
| A2 | Durability of marking | | 6.3.2 | With the naked eye | Visual examination | 1a | Markings according to 5.2 |
| A3 | Polarisation | 13e | | Test force: 20 N or 1,5 times the insertion force, whichever is higher, but not higher than 80 N | Visual examination | 1a | 5.3 No damage likely to impair function |
| A4 | Terminations | | 6.3.15 | Verification by test report or minimum test | | | 5.5 |
| A5 | Contact retention in insert | 15a | | Test load shall be three times the specified insertion force (mating) of one contact or the specified insertion force of one contact plus 50 N, whichever is less. The minimum test load shall not be less than 20 N. | Visual examination | 1a | 5.15.2 No axial displacement likely to impair normal operation |
| A6.1 | Cable clamp (pull) | 17 c | | | Visual examination | 1a | 5.14, Table 1 |
| A6.2 | Cable clamp (torsion) | 17 d | | | Visual examination | 1a | 5.14, Table 1 |
| A7 | Mechanical strength | 7b | | Only free connectors. Dropping height: | Visual | 1a | Parts used for |

| 1 | 2 | 3 | 4 | 5 | 6 | 7 | 8 |
|---|--|--------------------|-------------------|---|------------------------------|--------------------|--|
| Test phase | Designation | IEC 60512 test no. | Test according to | Severity or conditions | Measurements to be performed | | Requirements |
| | | | | | Designation or title | IEC 60512 test no. | |
| | impact | | | – 750 mm for specimens of mass \leq 250 g, – 500 mm for specimens of mass $>$ 250 g. Dropping cycles: 8 Positions in 45° steps, one cycle per position | examination | | protection against electric shock shall not be damaged. A reduction of clearances and creepage distances is not allowed. |
| A8 | Mechanical strength at lower temperature | | 6.3.10 | Test temperature: lower limiting temperature specified for the specimen Test duration: 5 h | | | 5.15 |
| | | | | | Visual examination | 1a | |
| | | | | | Dielectric strength | | 6.3.8 b) |
| A9 | Insertion and withdrawal force | 13 b | 6.3.13 | Only for connectors without coupling device or locking means | | | measured withdrawal force not less than 50 N |
| A10 | Effectiveness of connector coupling device | 15 f | 6.3.14 | Only for connectors with coupling device or locking means | Visual examination | | 5.17 No damage likely to impair function |
| NOTE Test group A consists of separate tests. There is no required test sequence. | | | | | | | |

Table 7 – Service life test group B

| 1 | 2 | 3 | 4 | 5 | 6 | 7 | 8 |
|------------|----------------------|--------------------|-------------------|---|------------------------------|--------------------|--|
| Test phase | Designation | IEC 60512 test no. | Test according to | Severity or conditions | Measurements to be performed | | Requirements |
| | | | | | Designation or title | IEC 60512 test no. | |
| B1 | Initial measurement | | | Test current: 1 A Measuring points: At the end of the termination. Maximum three contacts per specimen | Contact resistance | 2b | Reference value for subsequent measurement |
| B2 | Mechanical operation | 9a | 6.3.5 | | | | 5.11 |
| | | | | | Visual examination | 1a | No damage likely to impair function |
| B3 | Final measurement | | | Same conditions as for test phase B1 | Contact resistance | 2b | Deviation of the contact resistance shall be no more than 50 % of the reference value or \leq 5 m Ω . The higher value is permissible. |

| 1 | 2 | 3 | 4 | 5 | 6 | 7 | 8 |
|------------|-------------|--------------------|-------------------|--|------------------------------|--------------------|--|
| Test phase | Designation | IEC 60512 test no. | Test according to | Severity or conditions | Measurements to be performed | | Requirements |
| | | | | | Designation or title | IEC 60512 test no. | |
| | | | 6.3.8 | Measuring points ^b : contact/contact contact/earth ^a | Voltage proof | 4a | 5.10 There shall be no breakdown or flashover |

^a Earth in the sense of non-live metal parts (e.g. fixing devices/housings/accessible surfaces).

^b Measuring points: At the conductors as close as possible to the termination. If this is not possible, the conductor resistance shall be recalculated.

Table 8 – Service life test group C

| 1 | 2 | 3 | 4 | 5 | 6 | 7 | 8 |
|------------|-------------------|--------------------|-------------------|--|------------------------------|--------------------|--|
| Test phase | Designation | IEC 60512 test no. | Test according to | Severity or conditions | Measurements to be performed | | Requirements |
| | | | | | Designation or title | IEC 60512 test no. | |
| C1 | Bending test | | 6.3.6 | Only non-rewirable connectors | | | 6.3.6 |
| | | | | | Visual examination | 1a | No damage likely to impair function |
| C2 | Final measurement | | 6.3.8 b) | Measuring points: End of cable/metal foil | Voltage proof | 4a | There shall be no breakdown or flashover |
| | | | | | Visual examination | 1a | No loosening of the cable support sleeve from the body, no signs of abrasion or of wear and tear of insulation, broken strands shall not pierce the insulation |

Table 9 – Thermal test group D (mated test specimen)

| 1 | 2 | 3 | 4 | 5 | 6 | 7 | 8 |
|------------|-----------------------|--------------------|-------------------|---|------------------------------|--------------------|---|
| Test phase | Designation | IEC 60512 test no. | Test according to | Severity or conditions | Measurements to be performed | | Requirements |
| | | | | | Designation or title | IEC 60512 test no. | |
| D1 | Initial measurement | | | Test current: 1 A Measuring points: At the end of the termination. Maximum three contacts per specimen | Contact resistance | 2b | Reference value for subsequent measurement |
| D2 | Temperature rise test | 5a | 6.3.4 | | | | 5.13 The upper specified temperature shall not be exceeded |
| D3 | Dry heat | 11i | | Test temperature: Upper limiting temperature specified for the specimen Test duration: 1 000 h | | | |
| D4 | Final measurement | | | Any existing cover shall be removed if required | Visual examination | 1a | No damage likely to impair function |
| | | | | Same conditions as in D1 | Contact resistance | 2 b | Deviation of the contact resistance shall be no more than 50 % of the reference value or $\leq 5 \text{ m}\Omega$. The higher value is permissible. |

Table 10 – Climatic test group E (mated test specimen)

| 1 Test phase | 2 Designation | 3 IEC 60512 test no. | 4 Test according to | 5 Severity or conditions | 6 Measurements to be performed | | 7 Requirements |
|-----------------|-----------------------|--------------------------------------|------------------------|--|-----------------------------------|--------------------|--|
| | | | | | Designation or title | IEC 60512 test no. | |
| E1 | Initial measurement | | | Test current: 1 A Measuring points ^b : At the end of the termination. Maximum three contacts per specimen | Contact resistance | 2b | Reference value for subsequent measurement |
| E2 | Change of temperature | | 6.3.11 | Upper temperature: +85 °C Lower temperature: –40 °C Number of test cycles: 200 | Visual examination | 1a | No damage likely to impair function |
| E3 | Damp heat | | 6.3.12 | Test temperature: +85 °C Relative humidity: 85 % Test duration: 1 000 h | Visual examination | 1a | No damage likely to impair function |
| E4 | Dielectric strength | | 6.3.8 a) or b) | Measuring points ^b : contact/contact contact/earth ^a Test voltage (impulse withstand voltage) according to Table 2 for double or reinforced insulation shall be applied | a) Impulse withstand voltage | | 5.10 No breakdown or flashover |
| | | | | Measuring points ^b : contact/contact contact/earth ^a | b) Voltage proof | 4a | |
| E5 | Corrosion test | 11 g Alternative: | 6.3.9 | Test 1 | | | 5.20.1 |
| | | Corrosion test according to ISO 6988 | 6.3.9 | Test 2 | Visual examination | 1a | No damage likely to impair function |
| E6 | Final measurement | | | Same conditions as for test phase E1 | Contact resistance | 2b | Deviation of the contact resistance shall be no more than 50 % of the reference value or ≤ 5 mΩ. The higher value is permissible. |

^a Earth in the sense of non-live metal parts (e.g. fixing devices/housings/accessible surfaces).

^b Measuring points: At the conductors as close as possible to the termination. If this is not possible, the conductor resistance shall be recalculated.

Table 11 – Degree of protection, test group F

| 1 | 2 | 3 | 4 | 5 | 6 | 7 | 8 |
|------------|------------------------------|--------------------|-------------------|--|------------------------------|--------------------|--|
| Test phase | Designation | IEC 60512 test no. | Test according to | Severity or conditions | Measurements to be performed | | Requirements |
| | | | | | Designation or title | IEC 60512 test no. | |
| F1 | Degree of protection | | 6.3.3.1 | Test probe 11 according to IEC61032 with test force of 10 N | | | No live part shall be accessible 5.4.2 |
| F2 | Degree of protection IP code | | 6.3.3.2 | IP code as specified by the manufacturer | | | 5.9 Mated connector |
| F3 | Dielectric strength | | 6.3.8 b) | The test voltage shall be applied between all live parts and accessible surface. | Voltage proof | 4a | 5.10 No breakdown or flashover |

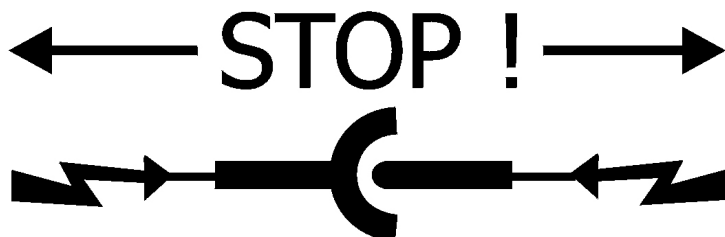
Table 12 – Insulation material, test group G

| 1 | 2 | 3 | 4 | 5 | 6 | 7 | 8 |
|------------|---------------------|--------------------|-------------------|---|------------------------------|--------------------|---|
| Test phase | Designation | IEC 60512 test no. | Test according to | Severity or conditions | Measurements to be performed | | Requirements |
| | | | | | Designation or title | IEC 60512 test no. | |
| G1 | Weather resistance | | | Test according to method ISO 4892-2 Irradiance: 60 W/m ² Wave band: 300 nm – 400 nm Black standard temperature: 65 °C Relative humidity: 65 % Cycle: 18 min spraying, 102 min drying with Xenon-lamp Total duration: 500 h or Test according to ISO 4892-3 | Visual examination | | 5.19.2 b) No cracks, Markings still legible |
| G2 | Dielectric strength | | 6.3.8 b) | The test voltage shall be applied between all live parts and accessible surface. | Voltage proof | 4a | 5.10 No breakdown or flashover |
| G3 | Flammability | | | Insulation material for outer housing material. Certificate of material supplier or test according to IEC 60695-11-10 | | | 5.19.2 a) |
| | | | | Glow wire test according to IEC 60695-2-11 Test temperature: 650 °C | | | 5.19.2 c) No inflame |
| G4 | Flammability | | | Insulation material keeping active parts in position. Certificate of supplier or test according to IEC 60695-11-10 | | | 5.19.3 a) |
| | | | | Glow wire test according to IEC 60695-2-11 Test temperature: 750 °C | | | 5.19.3 c) No inflame |

Annex A
(informative)

Warning symbols used on connectors

The following symbols (see Figures A.1 and A.2) may be used to show that a PV-connector according to this standard shall not be disconnected under load.



IEC

Figure A.1 – Symbol "DO NOT DISCONNECT UNDER LOAD"

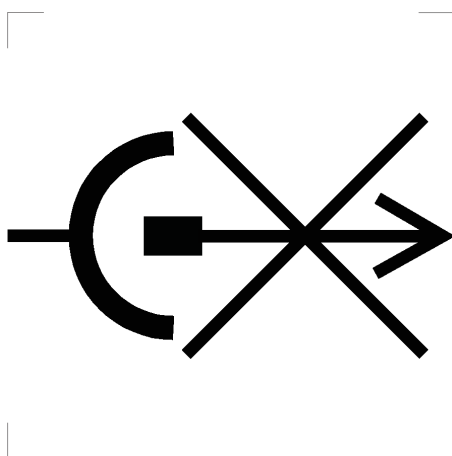


Figure A.2 – Symbol "DO NOT DISCONNECT UNDER LOAD" (IEC 60417-6070 (2014-06))

Annex B (normative)

Measurement of clearances and creepage distances

The methods of measuring clearances and creepage distances are indicated in the following examples 1 to 11 (see Figure B.1). These cases do not differentiate between gaps and grooves or between types of insulation.

The following assumptions are made:

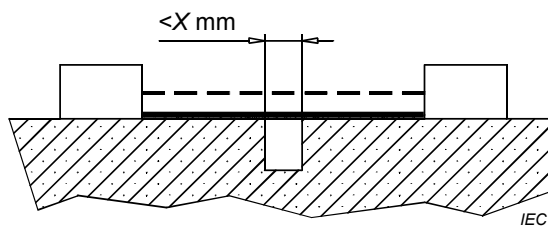
- a) where the distance across a groove is equal to or larger than X (see Table B.1), the creepage distance is measured along the contours of the groove (see example 2);
- b) any recess is assumed to be bridged with an insulating link having a length equal to X and being placed in the least favourable position (see example 3);
- c) clearances and creepage distances measured between parts which can assume different positions in relation to each other are measured when these parts are in their least favourable position.

In the following examples dimension X has the value given in Table B.1 depending on the pollution degree.

Table B.1 – Dimensions of X

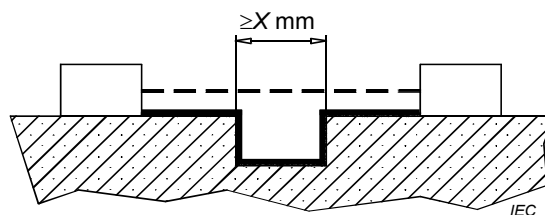
| Pollution degree | Dimension X mm |
|------------------|------------------|
| 1 | 0,25 |
| 2 | 1,0 |
| 3 | 1,5 |

If the associated clearance is less than 3 mm, the dimension X in Table B.1 may be reduced to one-third of this clearances.



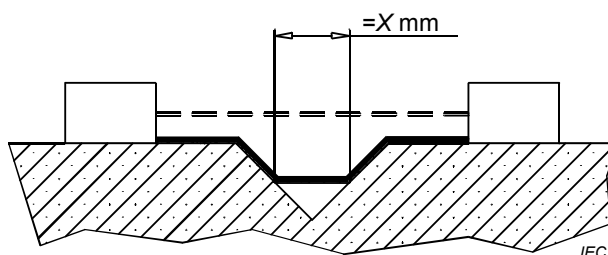
EXAMPLE 1 The path includes a parallel- or converging-sided groove of any depth with a width less than X .

The clearance and the creepage distance are measured directly across the groove as shown.



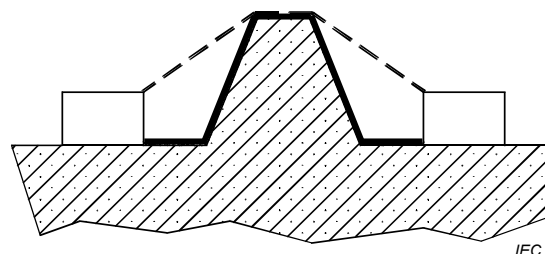
EXAMPLE 2 The path includes a parallel-sided groove of any depth and equal to or more than X .

The clearance is the "line-of-sight" distance. The creepage distance follows the contour of the groove.



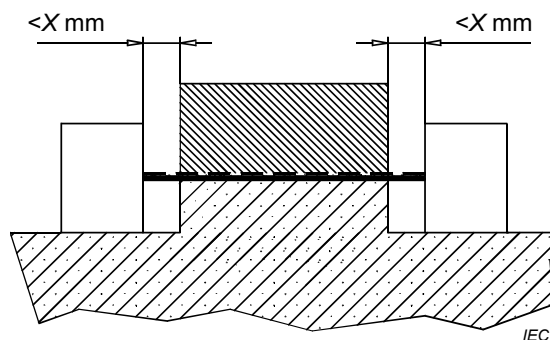
EXAMPLE 3 The path includes a V-shaped groove with a width greater than X .

The clearance is the "line-of-sight" distance. The creepage distance follows the contour of the groove but "short-circuits" the bottom of the groove by X link.



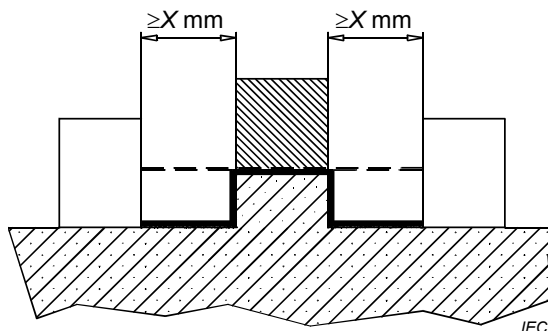
EXAMPLE 4 The path includes a rib.

The clearance is the shortest direct air path over the top of the rib. The creepage distance follows the contour of the rib.



EXAMPLE 5 The path includes an uncemented joint with grooves less than X wide on each side.

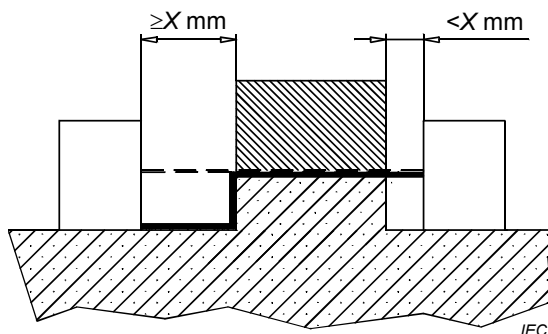
The clearance and the creepage distance path is the “line-of-sight” distance shown.



EXAMPLE 6 The path includes an uncemented joint with grooves equal to, or more than, X .

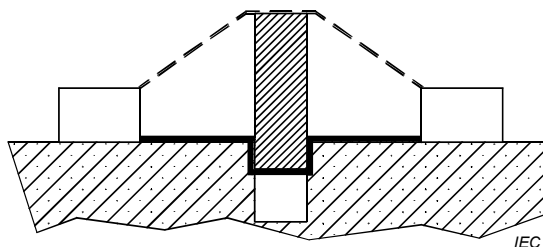
The clearance is the “line-of-sight” distance.

The creepage distance follows the contour of the grooves.



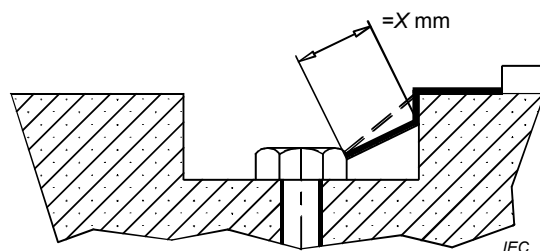
EXAMPLE 7 The path includes an uncemented joint with a groove on one side less than X wide and the groove on the other side equal to, or more than, X wide.

The clearance and the creepage distance are as shown.

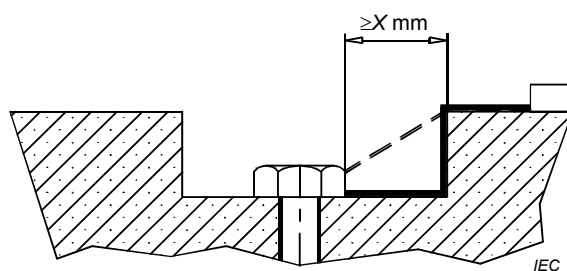


EXAMPLE 8 The creepage distance through the uncemented joint is less than the creepage distance over the barrier.

The clearance is the shortest direct air path over the top of the barrier.

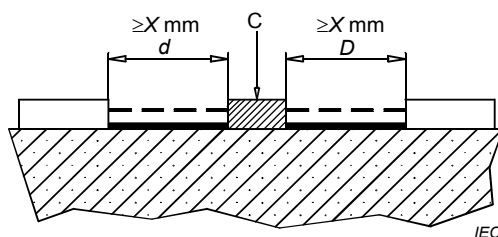


EXAMPLE 9 The gap between the head of the screw and the wall of the recess is too narrow to be taken into account.



EXAMPLE 10 The gap between the head of the screw and the wall of the recess is wide enough to be taken into account.

Measurement of the creepage distance is from screw to wall when the distance is equal to X .



EXAMPLE 11 C = floating part

The clearance is the distance $d + D$. The creepage distance is also $d + D$.

———— Creepage distance

- - - - Clearance

Figure B.1– Examples of methods of measuring clearances and creepage distances

Bibliography

IEC 60068-2-70:1995, *Environmental testing – Part 2: Tests – Test Xb: Abrasion of marking and letterings caused by rubbing of fingers and hands*

IEC 60112:2003, *Method for the determination of the proof and the comparative tracking indices of solid insulating materials*

IEC 60364-4-41:2005, *Low-voltage electrical installations – Part 4-41: Protection for safety – Protection against electric shock*

IEC 60364-5-51:2005, *Electrical installations of buildings – Part 5-51: Selection and erection of electrical equipment – Common rules*

IEC 60364-5-54:2011, *Low-voltage electrical installations – Part 5-54: Selection and erection of electrical equipment – Earthing arrangements and protective conductors*

IEC 60417, Graphical symbols for use on equipment. Available from: <http://www.graphical-symbols.info/equipment>

IEC TR 60664-2-1, *Insulation coordination for equipment within low-voltage systems – Part 2-1: Application guide – Explanation of the application of the IEC 60664 series, dimensioning examples and dielectric testing*

IEC 60884-1:2002, *Plugs and socket-outlets for household and similar purposes – Part 1: General requirements*

IEC 61730-1:2004, *Photovoltaic (PV) module safety qualification – Part 1: Requirements for construction*

IEC 61730-2, *Photovoltaic (PV) module safety qualification – Part 2: Requirements for testing*

SOMMAIRE

| | |
|---|----|
| AVANT-PROPOS | 44 |
| 1 Domaine d'application | 46 |
| 2 Références normatives | 46 |
| 3 Termes et définitions | 48 |
| 4 Classification | 52 |
| 4.1 Généralités | 52 |
| 4.2 Type de connecteur | 53 |
| 4.3 Caractéristiques supplémentaires | 53 |
| 5 Exigences de construction et performances | 53 |
| 5.1 Généralités | 53 |
| 5.2 Marquage et identification | 53 |
| 5.2.1 Identification | 53 |
| 5.2.2 Marquage | 54 |
| 5.2.3 Documentation technique | 54 |
| 5.3 Dispositions contre un accouplement incorrect (non accouplable) | 54 |
| 5.4 Protection contre les chocs électriques | 54 |
| 5.5 Connexions de sortie et méthodes de connexion | 54 |
| 5.6 Résistance à la détérioration | 55 |
| 5.7 Conception générale | 56 |
| 5.8 Conception d'une fiche pour câble | 56 |
| 5.9 Degré de protection (Code IP) | 56 |
| 5.10 Rigidité diélectrique | 57 |
| 5.11 Solidité mécanique et électrique | 57 |
| 5.12 Plage de température ambiante | 57 |
| 5.13 Échauffement | 57 |
| 5.14 Serre-câble | 57 |
| 5.15 Résistance mécanique | 58 |
| 5.16 Connecteur sans dispositif de verrouillage | 58 |
| 5.17 Connecteur avec dispositif de verrouillage | 58 |
| 5.18 Distances d'isolement et lignes de fuite | 58 |
| 5.18.1 Généralités | 58 |
| 5.18.2 Distances d'isolement | 59 |
| 5.18.3 Lignes de fuite | 59 |
| 5.19 Parties isolantes | 61 |
| 5.19.1 Généralités | 61 |
| 5.19.2 Parties extérieures accessibles | 61 |
| 5.19.3 Parties internes | 61 |
| 5.20 Parties conductrices et résistance à la corrosion | 61 |
| 6 Essais | 62 |
| 6.1 Généralités | 62 |
| 6.2 Préparation des éprouvettes | 62 |
| 6.3 Réalisation des essais | 64 |
| 6.3.1 Généralités | 64 |
| 6.3.2 Durabilité du marquage | 64 |
| 6.3.3 Protection contre les chocs électriques | 64 |
| 6.3.4 Échauffement | 64 |

| | | |
|---|---|----|
| 6.3.5 | Fonctionnement mécanique | 65 |
| 6.3.6 | Essai de pliage (flexion) (voir l'IEC 60309-1:1999, 24,4) | 65 |
| 6.3.7 | Mesurage des distances d'isolement et des lignes de fuite | 66 |
| 6.3.8 | Rigidité diélectrique | 66 |
| 6.3.9 | Essai de corrosion | 67 |
| 6.3.10 | Résistance mécanique à la limite inférieure de température | 67 |
| 6.3.11 | Variation de température (IEC 60068-2-14 essai Na) | 67 |
| 6.3.12 | Essai de chaleur humide | 67 |
| 6.3.13 | Effort d'insertion et d'extraction | 68 |
| 6.3.14 | Efficacité du dispositif d'accouplement du connecteur | 68 |
| 6.3.15 | Connexions de sortie et méthodes de connexion | 68 |
| 6.4 | Programme d'essai (individuel de série) des fiches pour câbles non démontables | 69 |
| 6.5 | Programme d'essai | 69 |
| Annexe A (informative) Symboles d'avertissement utilisés sur les connecteurs | | 76 |
| Annexe B (normative) Mesurage des distances d'isolement et des lignes de fuite | | 77 |
| Bibliographie | | 81 |
| Figure 1 – Dispositif d'essai de flexion | | 66 |
| Figure A.1 – Symbole "NE PAS DÉBRANCHER SOUS CHARGE" | | 76 |
| Figure A.2 – Symbole "NE PAS DÉBRANCHER SOUS CHARGE" (IEC 60417-6070) | | 76 |
| Figure B.1 – Exemples de méthodes de mesurage des distances d'isolement et des lignes de fuite | | 80 |
| Tableau 1 – Valeurs d'essai du serre-câble | | 58 |
| Tableau 2 – Tensions de choc assignées et distances d'isolement minimales | | 59 |
| Tableau 3 – Lignes de fuite pour l'isolation principale | | 60 |
| Tableau 4 – Nombre d'éprouvettes exigé pour les essais | | 62 |
| Tableau 5 – Couples pour les organes de serrage à vis | | 63 |
| Tableau 6 – Groupe d'essais mécaniques A (groupe A d'essais indépendants les uns des autres) | | 69 |
| Tableau 7 – Groupe d'essais B – Durée de vie | | 71 |
| Tableau 8 – Groupe d'essais C – Durée de vie | | 71 |
| Tableau 9 – Groupe d'essais D – Essais thermiques (épreuve d'essai accouplée) | | 72 |
| Tableau 10 – Groupe d'essais E – Essais climatiques (épreuve d'essai accouplée) | | 73 |
| Tableau 11 – Groupe d'essais F – Degré de protection | | 74 |
| Tableau 12 – Groupe d'essais G – Matériau isolant | | 75 |
| Tableau B.1 – Dimensions de X | | 77 |

COMMISSION ÉLECTROTECHNIQUE INTERNATIONALE

**CONNECTEURS POUR APPLICATIONS EN COURANT CONTINU
POUR SYSTÈMES PHOTOVOLTAÏQUES –
EXIGENCES DE SÉCURITÉ ET ESSAIS**

AVANT-PROPOS

- 1) La Commission Electrotechnique Internationale (IEC) est une organisation mondiale de normalisation composée de l'ensemble des comités électrotechniques nationaux (Comités nationaux de l'IEC). L'IEC a pour objet de favoriser la coopération internationale pour toutes les questions de normalisation dans les domaines de l'électricité et de l'électronique. A cet effet, l'IEC – entre autres activités – publie des Normes internationales, des Spécifications techniques, des Rapports techniques, des Spécifications accessibles au public (PAS) et des Guides (ci-après dénommés "Publication(s) de l'IEC"). Leur élaboration est confiée à des comités d'études, aux travaux desquels tout Comité national intéressé par le sujet traité peut participer. Les organisations internationales, gouvernementales et non gouvernementales, en liaison avec l'IEC, participent également aux travaux. L'IEC collabore étroitement avec l'Organisation Internationale de Normalisation (ISO), selon des conditions fixées par accord entre les deux organisations.
- 2) Les décisions ou accords officiels de l'IEC concernant les questions techniques représentent, dans la mesure du possible, un accord international sur les sujets étudiés, étant donné que les Comités nationaux de l'IEC intéressés sont représentés dans chaque comité d'études.
- 3) Les Publications de l'IEC se présentent sous la forme de recommandations internationales et sont agréées comme telles par les Comités nationaux de l'IEC. Tous les efforts raisonnables sont entrepris afin que l'IEC s'assure de l'exactitude du contenu technique de ses publications; l'IEC ne peut pas être tenue responsable de l'éventuelle mauvaise utilisation ou interprétation qui en est faite par un quelconque utilisateur final.
- 4) Dans le but d'encourager l'uniformité internationale, les Comités nationaux de l'IEC s'engagent, dans toute la mesure possible, à appliquer de façon transparente les Publications de l'IEC dans leurs publications nationales et régionales. Toutes divergences entre toutes Publications de l'IEC et toutes publications nationales ou régionales correspondantes doivent être indiquées en termes clairs dans ces dernières.
- 5) L'IEC elle-même ne fournit aucune attestation de conformité. Des organismes de certification indépendants fournissent des services d'évaluation de conformité et, dans certains secteurs, accèdent aux marques de conformité de l'IEC. L'IEC n'est responsable d'aucun des services effectués par les organismes de certification indépendants.
- 6) Tous les utilisateurs doivent s'assurer qu'ils sont en possession de la dernière édition de cette publication.
- 7) Aucune responsabilité ne doit être imputée à l'IEC, à ses administrateurs, employés, auxiliaires ou mandataires, y compris ses experts particuliers et les membres de ses comités d'études et des Comités nationaux de l'IEC, pour tout préjudice causé en cas de dommages corporels et matériels, ou de tout autre dommage de quelque nature que ce soit, directe ou indirecte, ou pour supporter les coûts (y compris les frais de justice) et les dépenses découlant de la publication ou de l'utilisation de cette Publication de l'IEC ou de toute autre Publication de l'IEC, ou au crédit qui lui est accordé.
- 8) L'attention est attirée sur les références normatives citées dans cette publication. L'utilisation de publications référencées est obligatoire pour une application correcte de la présente publication.
- 9) L'attention est attirée sur le fait que certains des éléments de la présente Publication de l'IEC peuvent faire l'objet de droits de brevet. L'IEC ne saurait être tenue pour responsable de ne pas avoir identifié de tels droits de brevets et de ne pas avoir signalé leur existence.

La Norme internationale IEC 62852 a été établie par le comité d'études 82 de l'IEC: Systèmes de conversion photovoltaïque de l'énergie solaire.

La présente Norme internationale est dérivée de l'EN 50521.

Le texte de cette norme est issu des documents suivants:

| FDIS | Rapport de vote |
|-------------|-----------------|
| 82/878/FDIS | 82/905/RVD |

Le rapport de vote indiqué dans le tableau ci-dessus donne toute information sur le vote ayant abouti à l'approbation de cette norme.

IEC 62852:2014 © IEC 2014

– 45 –

Cette publication a été rédigée selon les Directives ISO/IEC, Partie 2.

Le comité a décidé que le contenu de cette publication ne sera pas modifié avant la date de stabilité indiquée sur le site web de l'IEC sous "<http://webstore.iec.ch>" dans les données relatives à la publication recherchée. A cette date, la publication sera

- reconduite,
- supprimée,
- remplacée par une édition révisée, ou
- amendée.

CONNECTEURS POUR APPLICATIONS EN COURANT CONTINU POUR SYSTÈMES PHOTOVOLTAÏQUES – EXIGENCES DE SÉCURITÉ ET ESSAIS

1 Domaine d'application

La présente Norme internationale s'applique aux connecteurs utilisés dans les circuits à courant continu des systèmes photovoltaïques selon la classe II de l'IEC 61140:2001 de tension assignée allant jusqu'à 1 500 V en courant continu et de courant assigné allant jusqu'à 125 A par contact.

La présente Norme s'applique à des connecteurs sans pouvoir de coupure mais qui peuvent être branchés et débranchés sous tension.

La présente Norme s'applique également aux connecteurs destinés à être incorporés ou intégrés dans des enveloppes de dispositifs pour systèmes photovoltaïques.

La présente Norme peut être utilisée comme un guide pour les connecteurs des systèmes photovoltaïques des classes 0 et III conformément à l'IEC 61140:2001, ainsi que pour la protection des appareillages de Classe II utilisés à une tension inférieure à 50 V en courant continu.

2 Références normatives

Les documents suivants sont cités en référence de manière normative, en intégralité ou en partie, dans le présent document et sont indispensables pour son application. Pour les références datées, seule l'édition citée s'applique. Pour les références non datées, la dernière édition du document de référence s'applique (y compris les éventuels amendements).

IEC 60050 (toutes les parties), *Vocabulaire Electrotechnique International* (disponible à <http://www.electropedia.org>)

IEC 60060-1:2010, *Technique des essais à haute tension – Partie 1: Définitions et exigences générales*

IEC 60068-1:2013, *Essais d'environnement – Partie 1: Généralités et lignes directrices*

IEC 60068-2-14:2009, *Essais d'environnement – Partie 2-14: Essais – Essai N: Variation de température*

IEC 60068-2-75:1997, *Essais d'environnement – Partie 2-75: Essais – Essai Eh: Essais aux marteaux*

IEC 60068-2-78:2012, *Essais d'environnement – Partie 2-78: Essais – Essai Cab: Chaleur humide, essai continu*

IEC 60228:2004, *Âmes des câbles isolés*

IEC 60309-1:1999, *Prises de courant pour usage industriel – Partie 1: Règles générales*

IEC 60352-2:2006, *Connexions sans soudure – Partie 2: Connexions serties – Exigences générales, méthodes d'essai et guide pratique*

IEC 62852:2014 © IEC 2014

– 47 –

IEC 60352-3:1993, *Connexions sans soudure – Partie 3: Connexions autodénudantes accessibles sans soudure – Règles générales, méthodes d'essai et guide pratique*

IEC 60352-4:1994, *Connexions sans soudure – Partie 4: Connexions autodénudantes, non accessibles sans soudure – Règles générales, méthodes d'essai et guide pratique*

IEC 60352-5:2012, *Connexions sans soudure – Partie 5: Connexions insérées à force – Exigences générales, méthodes d'essai et guide pratique*

IEC 60352-6:1997, *Connexions sans soudure – Partie 6: Connexions à percement d'isolant – Règles générales, méthodes d'essai et guide pratique*

IEC 60352-7:2002, *Connexions sans soudure – Partie 7: Connexions à ressort – Règles générales, méthodes d'essai et guide pratique*

IEC 60364-7-712:2002, *Installations électriques des bâtiments – Partie 7-712: Règles pour les installations et emplacements spéciaux – Alimentations photovoltaïques solaires (PV)*

IEC 60512 (toutes les parties), *Connecteurs pour équipements électroniques – Essais et mesures*

IEC 60512-1:2001, *Connecteurs pour équipements électroniques – Essais et mesures – Partie 1: Généralités*

IEC 60512-11-7:2003, *Connecteurs pour équipements électroniques – Essais et mesures – Partie 11-7: Essais climatiques – Essai 11g: Essai de corrosion dans un flux de mélange de gaz*

IEC 60529:1989, *Degrés de protection procurés par les enveloppes (Code IP)*

IEC 60664-1:2007, *Coordination de l'isolement des matériels dans les systèmes (réseaux) à basse tension – Partie 1: Principes, exigences et essais*

IEC 60695-2-11:2014, *Essais relatifs aux risques du feu – Partie 2-11: Essais au fil incandescent/chauffant – Méthode d'essai d'inflammabilité pour produits finis (GWEPT)*

IEC 60695-11-10:2013, *Essais relatifs aux risques du feu – Partie 11-10: Flamme d'essai – Méthodes d'essai horizontal et vertical à la flamme de 50 W*

IEC TR 60943:1998, *Guide concernant l'échauffement admissible des parties des matériels électriques, en particulier les bornes de raccordement*

IEC 60998-2-3:2002, *Dispositifs de connexion pour circuits basse tension pour usage domestique et analogue – Partie 2-3: Règles particulières pour dispositifs de connexion en tant que parties séparées avec organes de serrage à perçage d'isolant*

IEC 60999-1:1999, *Dispositifs de connexion – Conducteurs électriques en cuivre – Prescriptions de sécurité pour organes de serrage à vis et sans vis – Partie 1: Prescriptions générales et particulières pour les organes de serrage pour les conducteurs de 0,2 mm² à 35 mm² (inclus)*

IEC 60999-2:2003, *Dispositifs de connexion – Conducteurs électriques en cuivre – Prescriptions de sécurité pour organes de serrage à vis et sans vis – Partie 2: Prescriptions particulières pour les organes de serrage pour conducteurs au-dessus de 35 mm² et jusqu'à 300 mm² (inclus)*

IEC 61032:1997, *Protection des personnes et des matériels par les enveloppes – Calibres d'essai pour la vérification*

IEC 61140:2001, *Protection contre les chocs électriques – Aspects communs aux installations et aux matériels*

IEC 61210:2010, *Dispositifs de connexion – Bornes plates à connexion rapide pour conducteurs électriques en cuivre – Exigences de sécurité*

IEC 61215:2005, *Modules photovoltaïques (PV) au silicium cristallin pour application terrestre – Qualification de la conception et homologation*

IEC 61984:2008, *Connecteurs – Exigences de sécurité et essais*

IEC 62444:2010, *Presse-étoupes pour installations électriques*

IEC TS 62548, *Photovoltaic (PV) arrays – Design requirements* (disponible en anglais uniquement)

ISO 4892-2, *Plastiques – Méthodes d'exposition à des sources lumineuses de laboratoire – Partie 2: Sources à arc au xénon*

ISO 4892-3, *Plastiques – Méthodes d'exposition à des sources lumineuses de laboratoire – Partie 3: Lampes fluorescentes UV*

ISO 6988:1985, *Revêtements métalliques et autres revêtements non organiques – Essai au dioxyde de soufre avec condensation générale de l'humidité*

3 Termes et définitions

Pour les besoins du présent document, les termes et définitions de l'IEC 60050-581, l'IEC 60050-826, l'IEC 60309-1, l'IEC 60664-1, l'IEC 60999-1 et l'IEC 61140, ainsi que les suivants, s'appliquent.

3.1

connecteur

composant placé à l'extrémité de conducteurs afin de permettre de réaliser leur connexion ou déconnexion avec un autre composant approprié

[SOURCE: IEC 60050-581:2008, 581-06-01]

3.2

connecteur multivoie

connecteur comportant plusieurs contacts

Note 1 à l'article: Les connecteurs multiples à simple voie utilisés dans une boîte de jonction PV ne sont pas considérés être un connecteur multivoie au sens de la présente Norme.

3.3

connecteur sous tension

CuV

connecteur spécialement conçu pour être branché ou débranché en utilisation normale, lorsqu'il est actif mais non sous charge

Note 1 à l'article: Dans la présente Norme, le terme «actif» est utilisé si des contacts sont soumis à une tension appliquée, sans nécessairement transporter de courant. Le terme «charge» est utilisé si un courant circule dans des contacts.

Note 2 à l'article: L'abréviation «CuV» est dérivée du terme anglais développé correspondant «connector under voltage».

3.4

connecteur sans pouvoir de coupure COC

connecteur dont l'insertion ou l'extraction n'est pas autorisée en usage normal lorsqu'il est sous tension ou sous charge

Note 1 à l'article: L'abréviation «COC» est dérivée du terme anglais développé correspondant «connector without breaking capacity».

[SOURCE: IEC 60050-581:2008, 581-27-73]

3.5

type de connecteur

3.5.1

fiche pour câble

connecteur destiné à être raccordé à l'extrémité libre d'un fil ou d'un câble

[SOURCE: IEC 60050-581:2008, 581-06-12]

3.5.2

connecteur incorporé

connecteur préfabriqué, puis intégré dans une enveloppe

3.5.3

connecteur intégré

assemblage de connecteurs fabriqué comme un composant à part entière lors de la fabrication de l'enveloppe

3.6

connecteur non démontable

connecteur construit de telle sorte que le câble ne puisse pas être séparé du connecteur sans rendre celui-ci inutilisable de façon permanente

[SOURCE: IEC 60309-1:1999, 2.5, modifié]

3.7

connecteur pour appareillage de Classe II

connecteur dont la protection contre le contact indirect est réalisée par une double isolation ou une isolation renforcée

Note 1 à l'article: La classe II est définie dans l'IEC 61140.

3.8

usage prévu

conditions d'application de connecteurs incluses dans les valeurs assignées admissibles ainsi que dans les conditions environnementales et les caractéristiques qui lui sont attribuées par le constructeur

3.9

dispositif de verrouillage

dispositif, électrique ou mécanique, qui empêche la mise sous tension des contacts d'un connecteur avant qu'il ne soit suffisamment branché dans sa partie homologue et qui empêche l'extraction du connecteur tant que ses contacts sont sous tension ou qui met les contacts hors tension avant la séparation

[SOURCE: IEC 60309-1:1999, 2.9, modifié]

3.10

cycle de fonctionnement mécanique

opération d'insertion et opération d'extraction du connecteur de sa partie homologue

3.11

organe de serrage

partie(s) d'une borne nécessaire(s) pour le serrage mécanique et la connexion électrique du (des) conducteur(s), y compris les parties qui sont nécessaires pour assurer une pression de contact correcte

[SOURCE: IEC 60999-1:1999, 3.1]

3.12

limite supérieure de température

température maximale d'un connecteur, telle que définie par le constructeur, et à laquelle il est prévu que le connecteur fonctionne

Note 1 à l'article: En anglais, l'abréviation ULT (upper limiting temperature) est souvent utilisée.

3.13

température ambiante

valeur maximale de la température ambiante déclarée par le constructeur, à laquelle le connecteur peut fonctionner de manière permanente, sans dépasser la limite supérieure de température

3.14

limite inférieure de température

température minimale d'un connecteur, telle que définie par le constructeur, et à laquelle il est prévu que le connecteur fonctionne

Note 1 à l'article: En anglais, l'abréviation LLT (lower limiting temperature) est souvent utilisée.

3.15

distance d'isolement

distance la plus courte dans l'air entre deux parties conductrices

[SOURCE: IEC 60664-1:2007, 1.3.2]

3.16

ligne de fuite

distance la plus courte, le long de la surface d'un isolant solide, entre deux parties conductrices

[SOURCE: IEC 60664-1:2007, 1.3.3]

3.17

catégorie de surtension

nombre définissant une condition de surtension transitoire

[SOURCE: IEC 60664-1:2007, 1.3.10]

3.18

pollution

tout apport de matériau étranger solide, liquide ou gazeux (gaz ionisés), qui peut entraîner une réduction de la rigidité diélectrique ou de la résistivité de la surface de l'isolation

[SOURCE: IEC 60664-1:2007, 1.3.11]

3.19

degré de pollution

nombre caractérisant la pollution prévue du micro-environnement

[SOURCE: IEC 60664-1:2007, 1.3.13]

3.20

tension assignée

valeur de la tension, fixée par le constructeur au connecteur et à laquelle il est fait référence pour le fonctionnement et les caractéristiques fonctionnelles

Note 1 à l'article: La tension assignée est équivalente à la tension assignée du système définie dans l'IEC 61730-1.

[SOURCE: IEC 60664-1:2007, 1.3.9, modifié]

3.21

tension assignée d'isolement

valeur efficace de la tension de tenue fixée par le constructeur au connecteur, caractérisant la capacité de tenue spécifiée (à long terme) de son isolation

Note 1 à l'article: La tension assignée d'isolement n'est pas nécessairement égale à la tension assignée, qui est principalement liée aux caractéristiques fonctionnelles.

[SOURCE: IEC 60664-1:2007, 1.3.9.1, modifié]

3.22

tension de choc assignée

valeur de la tension de tenue aux chocs fixée par le constructeur au connecteur, caractérisant la capacité de tenue spécifiée de son isolation contre des surtensions transitoires

[SOURCE: IEC 60664-1:2007, 1.3.9.2, modifié]

3.23

tension de tenue aux chocs

valeur de crête la plus élevée d'une tension de choc, de forme et de polarité prescrites, qui ne provoque pas de claquage de l'isolation dans des conditions spécifiées

Note 1 à l'article: La tension de tenue aux chocs est égale ou supérieure à la tension de choc assignée.

[SOURCE: IEC 60664-1:2007, 1.3.8.1]

3.24

tension de tenue en valeur efficace

tension de tenue à fréquence industrielle

valeur efficace la plus élevée d'une tension qui ne provoque pas de claquage de l'isolation dans des conditions spécifiées

[SOURCE: IEC 60664-1:2007, 1.3.8.2]

3.25

courant assigné

valeur de courant fixée par le constructeur, que le connecteur peut transporter en continu (sans interruption) et simultanément sur tous ses contacts câblés avec le conducteur ayant la section la plus grande spécifiée, de préférence à une température ambiante de 85 °C, sans dépasser les limites supérieures de température

Note 1 à l'article: Si, pour la définition du courant assigné, il est utilisé d'autres valeurs de température ambiante, il convient que le constructeur déclare dans sa documentation technique la température ambiante sur laquelle cette

valeur est assignée, en se référant, le cas échéant, à la courbe de déclassement définie dans l'IEC 60512-5-2, essai 5b.

3.26

isolation fonctionnelle

isolation entre parties conductrices qui est uniquement nécessaire au bon fonctionnement du matériel

[SOURCE: IEC 60664-1:2007, 1.3.17.1]

3.27

isolation principale

isolation appliquée aux parties actives pour assurer une protection de base contre les chocs électriques

Note 1 à l'article: L'isolation principale n'inclut pas nécessairement l'isolation exclusivement utilisée à des fins fonctionnelles (voir l'IEC 61140:2001, 3.10.1).

[SOURCE: IEC 60664-1:2007, 1.3.17.2]

3.28

isolation supplémentaire

isolation indépendante appliquée en plus de l'isolation principale en vue d'assurer une protection contre les chocs électriques en cas de défaut de l'isolation principale (voir l'IEC 61140:2001, 3.10.2)

[SOURCE: IEC 60664-1:2007, 1.3.17.3]

3.29

double isolation

isolation comprenant à la fois une isolation principale et une isolation supplémentaire (voir l'IEC 61140:2001, 3.10.3)

[SOURCE: IEC 60664-1:2007, 1.3.17.4]

3.30

isolation renforcée

système d'isolation unique des parties sous tension, assurant un degré de protection contre les chocs électriques équivalent à une double isolation dans les conditions spécifiées de la norme IEC correspondante (voir l'IEC 61140:2001, 3.10.4)

Note 1 à l'article: Le terme "système d'isolation unique" ne sous-entend pas que l'isolation doive se composer d'une pièce homogène. Elle peut comprendre plusieurs couches ne pouvant être soumises à l'essai séparément en tant qu'isolation principale ou isolation supplémentaire.

[SOURCE: IEC 60664-1:2007, 1.3.17.5]

3.31

isolation interne

partie de l'isolation principale assurant la distance d'isolement et la ligne de fuite requises à l'intérieur d'un boîtier conducteur ou d'une enceinte conductrice

4 Classification

4.1 Généralités

Afin d'appliquer les exigences d'essai pertinentes, les connecteurs doivent être classés par la spécification du constructeur, en fonction de leur usage prévu compte tenu de la classe II, conformément à l'IEC 61140 et de leurs caractéristiques, comme établi ci-dessous.

4.2 Type de connecteur

- a) Fiche pour câble.
- b) Connecteur incorporé.
- c) Connecteur intégré.

4.3 Caractéristiques supplémentaires

- a) Connecteur avec serre-câble.
- b) Code IP d'un connecteur conformément à l'IEC 60529.
- c) Connecteur pour appareillage de Classe II.
- d) Connecteur non démontable.
- e) Connecteur démontable.
- f) Connexions de sortie et méthodes de connexion.

5 Exigences de construction et performances

5.1 Généralités

La présente Norme ne définit pas les valeurs assignées électriques de tension et de courant. Ces valeurs sont spécifiées par le constructeur.

Les connecteurs doivent convenir à une utilisation durable à l'extérieur, dans une plage de température ambiante de -40 °C à $+85\text{ °C}$.

Les connecteurs multivoie doivent être conçus de manière à ce que les exigences applicables à l'installation protégée contre les défauts à la terre et les courts circuits soient conformes à l'IEC TS 62548 et à l'IEC 60364-7-712.

La conformité à ces exigences est vérifiée par exécution des essais spécifiés de la présente Norme.

5.2 Marquage et identification

5.2.1 Identification

Les connecteurs doivent être identifiés et caractérisés par les marquages suivants:

- a) le nom, la marque déposée ou la marque d'origine du constructeur;
- b) le code de référence du type (par exemple, le numéro de catalogue);
- c) le courant assigné en ampères (A);
- d) les tensions assignées ou les tensions assignées d'isolement entre phase et terre ainsi qu'entre phases, en volts (V);
- e) la tension de choc assignée en kilovolts (kV), si elle est spécifiée;
- f) le degré de pollution;
- g) le degré de protection procuré par l'enveloppe conformément à l'IEC 60529;
- h) la plage de températures (les limites inférieure et supérieure de température, la température ambiante maximale);
- i) le type de bornes;
- j) les conducteurs qui peuvent y être raccordés;

NOTE Pour le courant admissible des câbles et des fils, voir l'IEC 60364-5-52.

- k) la référence à la présente Norme ou à la spécification particulière, le cas échéant;

- l) le symbole "Ne pas débrancher sous charge" comme présenté en Annexe A; il est également possible de fournir une notice d'avertissement appropriée dans la langue nationale particulière;
- m) la polarité du connecteur, le cas échéant.

5.2.2 Marquage

Le marquage doit être indélébile et facilement lisible.

Le marquage du connecteur doit au minimum comporter les points a), l) et m) donnés en 5.2.1.

Le symbole ou l'avertissement indiqué en l) de 5.2.1 doit être imprimé ou apposé à proximité du connecteur. Une mise en garde concernant la fixation de l'étiquette correspondante doit être fournie dans la documentation technique.

Les marquages a) et b) indiqués en 5.2.1 doivent être appliqués sur la plus petite unité d'emballage.

5.2.3 Documentation technique

Les points d'identification indiqués en 5.2.1 qui ne sont pas marqués sur le connecteur conformément à 5.2.2 et les informations suivantes doivent être indiqués dans la documentation technique du constructeur:

- a) les informations relatives au type de câbles pouvant assurer la connexion de sortie, le cas échéant;
- b) les informations relatives au montage, le cas échéant;
- c) les informations relatives à l'assemblage, telles que l'outillage (numéro de partie) exigé par le constructeur, le cas échéant.

5.3 Dispositions contre un accouplement incorrect (non accouplable)

Un connecteur multivoie doit être conçu de façon à ce que des contacts de tension présentant des polarités différentes ne puissent pas se toucher lors du branchement de la prise.

La conformité doit être vérifiée par un essai de polarisation (voir A3 du Tableau 6).

5.4 Protection contre les chocs électriques

5.4.1 Un connecteur doit être conçu de façon à ce que, après montage, ses parties actives ne soient pas accessibles au doigt d'essai IEC conformément à l'IEC 60529.

5.4.2 La protection contre les chocs électriques doit également être garantie lors de l'insertion et de l'extraction du connecteur. La conformité doit être vérifiée par essai au moyen du calibre d'essai IEC 11, conformément à l'IEC 61032.

5.5 Connexions de sortie et méthodes de connexion

La présente Norme s'applique aux connexions de sortie et méthodes de connexion suivantes:

- a) les connexions serties conformes à l'IEC 60352-2
- b) les connexions autodénudantes conformes à l'IEC 60352-3 (IDC accessibles) ou à l'IEC 60998-2-3.
- c) les connexions autodénudantes conformes à l'IEC 60352-4 (IDC non accessibles) ou à l'IEC 60998-2-3
- d) les connexions insérées à force conformes à l'IEC 60352-5

- e) les connexions à percement d'isolant conformes à l'IEC 60352-6 ou à l'IEC 60998-2-3
- f) les organes de serrage sans vis conformes à l'IEC 60999-1, à l'IEC 60999-2 ou à l'IEC 60352-7
- g) les organes de serrage à vis conformes à l'IEC 60999-1 ou à l'IEC 60999-2
- h) les bornes plates à connexion rapide conformes à l'IEC 61210

Les essais applicables selon 6.3.15 doivent au moins être réalisés pour toutes les connexions de sortie et méthodes de connexion destinées à être utilisées.

Les autres types de connexions de sortie et méthodes de connexion doivent être soumis aux essais conformément aux normes pertinentes.

Les connexions par brasage et soudage sont également admises.

Les connexions de sortie et méthodes de connexion doivent fournir des moyens suffisants pour permettre de maintenir le conducteur en place.

Les connexions électriques doivent être conçues de sorte que la pression de contact ne soit pas transmise à travers un matériau isolant autre que la céramique, le mica pur ou tout autre matériau ayant des caractéristiques tout aussi convenables, à moins que les éléments métalliques soient suffisamment résilients pour compenser tout rétrécissement ou écrouissement éventuel du matériau isolant (voir l'IEC 60309-1:1999, 25.3 ou l'IEC 60999-1:1999, Article 7 ou encore l'IEC 60999-2). Cette exigence ne s'applique pas aux connexions à percement d'isolant et aux connexions autodénudantes en raison des essais réalisés conformément à l'IEC 60352-6 ou l'IEC 60998-2-3.

Des précautions doivent être prises pour s'assurer du maintien de la pression de contact adéquate pendant toute la durée de vie du connecteur.

Pour compenser les modifications au cours de l'utilisation (au niveau du desserrage des organes de serrage à vis, par exemple, généré par les cycles thermiques), l'utilisation d'une rondelle de blocage, d'une rondelle élastique ou d'un élément analogue peut s'avérer suffisante.

Toutes les connexions de sortie et méthodes de connexion doivent être protégées contre les contraintes mécaniques et thermiques excessives susceptibles de provoquer une augmentation de la résistance de contact.

5.6 Résistance à la détérioration

Si la détérioration des parties spécifiques peut compromettre la sécurité, la résistance de ces parties aux contraintes prévues doit être vérifiée par l'exécution du programme d'essai de l'Article 6.

5.7 Conception générale

5.7.1 Les mécanismes utilisés pour le montage du connecteur et/ou la connexion des conducteurs ne doivent pas être utilisés pour la fixation de parties actives dans le boîtier de connecteurs, si cela peut compromettre la fonction du mécanisme ou réduire les valeurs des lignes de fuite et des distances d'isolement en dessous de celles stipulées dans les exigences selon 5.18.

5.7.2 Les connecteurs doivent être conçus pour qu'il soit possible de raccorder des conducteurs du type et de la section spécifiés par le constructeur. Outre la connexion du conducteur, on doit s'assurer que l'isolant ne risque pas d'être endommagé, par exemple en évitant les arêtes vives.

5.7.3 Les câbles raccordés au connecteur doivent être adaptés à l'utilisation dans des systèmes photovoltaïques. Les valeurs de courant assigné et de tension assignée doivent correspondre au moins aux valeurs assignées du connecteur. Les câbles doivent être souples et le conducteur doit au moins être de classe 5 conformément à l'IEC 60228.

5.7.4 Les connecteurs non démontables doivent être conçus de sorte que:

- le câble souple ne puisse pas être séparé du connecteur sans rendre celui-ci inutilisable de manière permanente,
- le connecteur ne puisse pas être démonté comme prévu, ou les pièces du connecteur ne puissent pas être retirées manuellement ou au moyen d'un outil d'usage général, par exemple un tournevis,
- des moyens soient prévus pour prévenir toute réduction de la distance d'isolement minimale entre les parties actives, par exemple les brins libres d'un conducteur et toute surface extérieure accessible du connecteur, à l'exception de la face de branchement du connecteur mâle,
- un connecteur devient inutilisable lorsque, pour le remontage, il est nécessaire d'utiliser des parties autres que les pièces d'origine;
- les connecteurs à connexions non démontables sont également considérés comme démontables s'ils sont reconstitués en utilisant des pièces d'origine ainsi que, le cas échéant, des outils fournis par le constructeur.

Si cela ne peut être garanti par le processus de conception ou de fabrication proprement dit, on doit appliquer le programme d'essai en cours de fabrication conformément à 6.4, ou un autre essai impliquant un même niveau de sécurité.

5.8 Conception d'une fiche pour câble

Les fils d'une fiche pour câble doivent être protégés contre les contraintes de cisaillement et de traction au niveau des connexions et doivent être fixés de manière à éviter toute torsion.

Cette exigence ne s'applique pas:

- a) aux fiches pour câbles dans des montages fixes (connexion par fiche au sens d'une connexion amovible),
- b) aux fiches pour câbles dont la connexion est protégée contre la traction et la torsion par des dispositions de montage dans le produit final.

5.9 Degré de protection (Code IP)

Le connecteur doit avoir un degré de protection d'au moins IP55, conformément à l'IEC 60529.

En fonction de l'installation, il peut être exigé un degré de protection plus élevé.

5.10 Rigidité diélectrique

Un connecteur doit supporter la tension d'essai spécifiée. La conformité est déterminée par les essais selon 6.3.8.

5.11 Solidité mécanique et électrique

5.11.1 Un connecteur doit satisfaire aux manœuvres mécaniques de 50 cycles de fonctionnement hors charge.

5.11.2 Un connecteur non démontable doit supporter le nombre de flexions indiqué en 6.3.6.

La conformité doit être vérifiée en exécutant les essais décrits en 6.3.5 et 6.3.6.

5.12 Plage de température ambiante

Un connecteur doit résister aux valeurs supérieure et inférieure de la plage de température indiquée en 5.2.1 ou à celles spécifiées par le constructeur, si elles sont inférieures à la valeur minimale ou supérieures à la valeur maximale définies en 5.2.1.

La conformité est déterminée par les essais selon le programme d'essai de l'Article 6.

5.13 Échauffement

La somme de la température ambiante et de l'échauffement d'un connecteur ne doit pas dépasser la limite supérieure de température.

La conformité doit être vérifiée en exécutant l'essai décrit en 6.3.4.

5.14 Serre-câble

Le serre-câble doit convenir au câble à raccorder. La plage de diamètres de câbles acceptables doit être précisée dans la spécification du constructeur. Les exigences de traction et de torsion doivent être conformes aux spécifications du Tableau 1.

Les pièces flottantes insérées pour obtenir le serrage du câble sont admissibles si elles sont fixées au connecteur monté.

Le serre-câble peut être réalisé en matériau isolant ou en métal. S'il est en métal, il doit satisfaire à l'une des exigences suivantes:

- a) être muni d'un revêtement en matériau isolant pour éviter la mise sous tension d'une partie métallique éventuellement accessible en cas de défaillance;
- b) aucun contact ne doit être possible avec le doigt d'essai conformément à l'IEC 60529.

Tableau 1 – Valeurs d'essai du serre-câble

| Diamètre du câble mm | Exigences en traction | | Exigences en torsion | |
|-------------------------|-------------------------|------------------------------|----------------------|-----------------------|
| | Effort de traction N | Déplacement admissible mm | Couple Nm | Angle admissible ° |
| 4 jusqu'à 9 | 80 | 3 | 0,10 | ±30 |
| >9 jusqu'à 12 | 100 | | 0,15 | |
| >12 jusqu'à 20 | 120 | 5 | 0,6 | ±45 |
| >20 jusqu'à 33 | 150 | | 0,8 | |
| >33 jusqu'à 42 | 200 | | 0,9 | |
| >42 | 250 | | 1,2 | |

La conformité est vérifiée en exécutant les phases d'essai A6.1 et A6.2 du Tableau 6 avec les valeurs du Tableau 1.

Pour les presse-étoupes métriques conformes aux exigences de l'IEC 62444, les essais décrits dans le présent paragraphe ne sont pas exigés.

5.15 Résistance mécanique

5.15.1 Un connecteur y compris son isolation interne ne doit pas présenter de dégradation susceptible de nuire à la sécurité après exposition aux contraintes mécaniques spécifiées dans le Tableau 6.

5.15.2 Les contacts d'un connecteur monté pour usage final doivent être solidement maintenus dans le corps de contact.

5.16 Connecteur sans dispositif de verrouillage

Les connecteurs sans dispositif de verrouillage ou sans dispositif d'enclenchement, doivent supporter un effort d'extraction d'au moins 50 N.

La conformité doit être vérifiée en réalisant l'essai décrit en 6.3.13.

NOTE Dans certains pays, les dispositifs de verrouillage sont exigés. D'autres pays imposent également des dispositifs de verrouillage qui peuvent être uniquement ouverts à l'aide d'un outil.

5.17 Connecteur avec dispositif de verrouillage

Les connecteurs avec dispositif de verrouillage ou avec dispositif d'enclenchement, doivent supporter une charge d'au moins 80 N.

La conformité doit être vérifiée en réalisant l'essai décrit en 6.3.14.

5.18 Distances d'isolement et lignes de fuite

5.18.1 Généralités

Les distances d'isolement et les lignes de fuite doivent être dimensionnées conformément aux spécifications suivantes.

Pour les connecteurs, les exigences de double isolation doivent être remplies entre parties sous tension et parties accessibles lorsque le connecteur est branché.

Pour les connecteurs multivoie, les exigences de double isolation ou d'isolation renforcée doivent être remplies entre parties sous tension et parties accessibles ayant un potentiel électrique différent, que le connecteur soit en position branchée ou débranchée.

5.18.2 Distances d'isolement

Les distances d'isolement à travers les fentes et ouvertures d'enveloppes en matériau isolant doivent être dimensionnées selon le Tableau 2.

Tableau 2 – Tensions de choc assignées et distances d'isolement minimales

| Tension c.c. assignée V | Isolation principale | | Isolation renforcée | |
|----------------------------|--|----------------------------|--|----------------------------|
| | Tension de choc assignée kV (1,2/50 µs) | Distance d'isolement mm | Tension de choc assignée kV (1,2/50 µs) | Distance d'isolement mm |
| 100 | 1,5 | 0,5 | 2,5 | 1,5 |
| 150 | 2,5 | 1,5 | 4,0 | 3,0 |
| 300 | 4,0 | 3,0 | 6,0 | 5,5 |
| 600 | 6,0 | 5,5 | 8,0 | 8,0 |
| 1 000 | 8,0 | 8,0 | 12 | 14 |
| 1 500 | 10 | 11 | 16 | 19 |

La valeur minimale est 0,2 mm pour le degré de pollution 2 et 0,8 mm pour le degré de pollution 3.

NOTE Les valeurs sont tirées de l'IEC 60664-1:2007 pour la catégorie de surtension III et de l'IEC TR 60664-2-1.

5.18.3 Lignes de fuite

5.18.3.1 Généralités

Les lignes de fuite entre les parties actives et les surfaces accessibles doivent être dimensionnées pour la double isolation ou l'isolation renforcée, selon le Tableau 3, en fonction de la tension assignée, en prenant en compte le degré de pollution, comme spécifié en 5.18.3.2.

Pour le rapport entre les lignes de fuite et les distances d'isolement, voir 5.2.2.6 de l'IEC 60664-1:2007.

Tableau 3 – Lignes de fuite pour l'isolation principale

| Tension (c.c.) V | Degré de pollution 1 | Degré de pollution 2 | | | Degré de pollution 3 | | |
|------------------------|------------------------------------|----------------------------|-----------------------------|------------------------------|----------------------------|-----------------------------|------------------------------|
| | Tous les groupes de matériau mm | Groupe de matériau I mm | Groupe de matériau II mm | Groupe de matériau III mm | Groupe de matériau I mm | Groupe de matériau II mm | Groupe de matériau III mm |
| 25 | 0,125 | 0,5 | 0,5 | 0,5 | 1,3 | 1,3 | 1,3 |
| 50 | 0,18 | 0,6 | 0,9 | 1,2 | 1,5 | 1,7 | 1,9 |
| 100 | 0,25 | 0,71 | 1,0 | 1,4 | 1,8 | 2,0 | 2,2 |
| 150 | 0,31 | 0,8 | 1,1 | 1,6 | 2,0 | 2,2 | 2,5 |
| 200 | 0,42 | 1,0 | 1,4 | 2,0 | 2,5 | 2,8 | 3,2 |
| 300 | 0,70 | 1,5 | 2,1 | 3,0 | 3,8 | 4,2 | 4,7 |
| 600 | 1,7 | 3,0 | 4,3 | 6,0 | 7,6 | 8,6 | 9,5 |
| 1 000 | 3,2 | 5,0 | 7,1 | 10,0 | 12,5 | 14,0 | 16,0 |
| 1 500 | 5,2 | 7,5 | 10,4 | 15 | 18,9 | 20,9 | 23,6 |

L'interpolation linéaire est admise.

Les valeurs relatives à la double isolation ou à l'isolation renforcée représentent le double des valeurs d'isolation principale.

NOTE Les valeurs sont tirées de l'IEC 60664 pour la catégorie de surtension III, certaines valeurs sont arrondies.

5.18.3.2 Degré de pollution

Les lignes de fuite et les distances d'isolement entre les parties actives dangereuses et les surfaces accessibles à l'extérieur de l'enveloppe doivent être dimensionnées selon le degré de pollution 3. Les distances à l'intérieur de l'enveloppe doivent être au moins dimensionnées pour le degré de pollution 2.

5.18.3.3 Indice de résistance au cheminement (IRC)

Les matériaux isolants sont classés en quatre groupes correspondant à leur indice de résistance au cheminement (IRC), lorsqu'ils sont soumis à l'essai conformément à l'IEC 60112:

| | | |
|-------------------------|-----------|-------|
| Groupe de matériau I | IRC | ≥ 600 |
| Groupe de matériau II | 400 ≤ IRC | < 600 |
| Groupe de matériau IIIa | 175 ≤ IRC | < 400 |
| Groupe de matériau IIIb | 100 ≤ IRC | < 175 |

Un matériau peut être inclus dans l'un de ces quatre groupes à condition que l'ITC (indice de tenue au cheminement), vérifié par la méthode de l'IEC 60112 à l'aide de la solution A, ne soit pas inférieur à la valeur la plus basse spécifiée pour le groupe.

Les valeurs spécifiées pour les groupes sont les valeurs de référence et sont basées sur la tension d'essai de l'IEC 60112. La tension d'essai n'est pas liée à la tension (tension système, tension de service, etc.) d'un module ou d'un système PV.

L'essai de l'indice de résistance au cheminement (IRC) conformément à l'IEC 60112 est conçu pour comparer les performances des différents matériaux isolants dans les conditions d'essai. Cet essai fournit une comparaison qualitative et dans le cas des matériaux isolants

ayant une tendance à former des cheminements, il fournit également une comparaison quantitative.

5.19 Parties isolantes

5.19.1 Généralités

Les parties isolantes doivent être conçues de manière à satisfaire aux exigences thermiques prévues.

5.19.2 Parties extérieures accessibles

Les parties extérieures accessibles en matériau isolant, dont la détérioration pourrait compromettre la sécurité du connecteur, doivent satisfaire aux exigences suivantes:

- a) classe d'inflammabilité minimale HB ou V-2 conformément à l'IEC 60695-11-10. Ceci doit être démontré par une fiche technique du fournisseur du matériau ou par un essai du produit final.

Les valeurs d'inflammabilité V-1 ou V-0 conformes à l'IEC 60695-11-10 sont aussi autorisées;

- b) résistance aux intempéries conformément à l'ISO 4892-2, méthode A ou à l'ISO 4892-3 avec une durée totale de 500 h. La rigidité diélectrique selon 6.3.8 b) doit être satisfaite après l'essai;
- c) essai au fil incandescent, à 650 °C, conformément à l'IEC 60695-2-11.

5.19.3 Parties internes

Les parties internes en matériau isolant utilisées pour maintenir en place des parties conductrices doivent satisfaire aux exigences suivantes:

- a) classe d'inflammabilité minimale HB ou V-2 conformément à l'IEC 60695-11-10. Ceci doit être démontré par une fiche technique du fournisseur du matériau ou par un essai du produit final.

Les valeurs d'inflammabilité V-1 ou V-0 conformes à l'IEC 60695-11-10 sont aussi autorisées;

- b) le matériau isolant doit avoir un indice IRC conforme aux valeurs assignées de la présente Norme, conformément à l'IEC 60664-1;
- c) essai au fil incandescent, à 750 °C, conformément à l'IEC 60695-2-11.

5.20 Parties conductrices et résistance à la corrosion

5.20.1 Les parties métalliques doivent être conçues de sorte que la corrosion ne doit pas compromettre la sécurité, du point de vue des caractéristiques électriques et mécaniques.

La conformité est vérifiée par 6.3.9.

Toutes les parties conductrices doivent être en métal de base et en plaquage, de manière à assurer, en fonctionnement normal, une résistance mécanique, une conductivité électrique et une protection contre la corrosion suffisantes, comme décrit dans la présente Norme.

5.20.2 En conditions ambiantes humides, toutes les parties métalliques dont la différence de potentiel électrochimique est supérieure à 350 mV, conformément à l'IEC/TR 60943, ne doivent pas se toucher.

6 Essais

6.1 Généralités

6.1.1 Les essais doivent être effectués dans la séquence spécifiée pour chaque groupe d'essai en utilisant le nombre d'éprouvettes indiqué dans le Tableau 4. Pour chaque groupe d'essai, un ensemble séparé de nouvelles éprouvettes doit être utilisé.

Si des modèles particuliers de connecteurs nécessitent des essais particuliers ou des préparations spéciales, qui ne sont pas explicitement décrits dans la présente Norme, ils sont sélectionnés ou réalisés conformément à la spécification du constructeur (par exemple, verrouillage mécanique au cours d'un essai de vérification du degré de protection).

Tableau 4 – Nombre d'éprouvettes exigé pour les essais

| Tableau de référence | Groupe d'essai | Nombre d'éprouvettes |
|---|-------------------------------|----------------------|
| 6 | Groupe A: mécanique | Une par essai |
| 7 | Groupe B: durée de vie | 3 |
| 8 | Groupe C: durée de vie | 3 |
| 9 | Groupe D: thermique | 3 |
| 10 | Groupe E: climatique | 3 |
| 11 | Groupe F: degré de protection | 2 |
| 12 | Groupe G: matériau isolant | 3 |
| NOTE Pour une famille de connecteurs de même modèle et de dimensions comparables, il est admis d'effectuer des essais pour un membre uniquement d'une famille donnée, représentant le cas le plus défavorable pour cet essai. | | |

6.1.2 Une paire de connecteurs (fiche et clip) ou des fiches pour câble sont considérées comme des éprouvettes. Sauf spécification contraire dans le programme d'essai, la paire de connecteurs non accouplés doit être soumise à l'essai.

6.1.3 Les essais doivent être réalisés dans les conditions atmosphériques normales de l'IEC 60068-1, sauf spécification contraire dans le programme d'essai.

6.1.4 L'éprouvette est considérée non conforme à la présente Norme si elle échoue à plus d'un essai, quel que soit le groupe d'essai. Si l'éprouvette échoue à l'un des essais, cet essai ainsi que les précédents susceptibles d'avoir affecté ses résultats, doivent être recommencés sur un nouvel ensemble d'éprouvettes. La nouvelle éprouvette doit satisfaire aux essais recommencés. Dans le cas contraire, le produit est considéré non conforme.

6.1.5 Sauf spécification contraire, tous les examens visuels doivent être réalisés à l'œil nu.

6.2 Préparation des éprouvettes

6.2.1 Les éprouvettes doivent être préalablement conditionnées, dans des conditions normales d'essai, pendant une période de 24 h, conformément à l'IEC 60512-1.

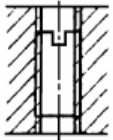
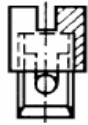
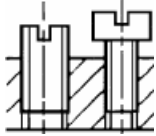
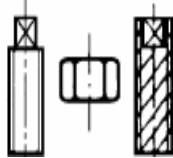

6.2.2 Les essais doivent être réalisés avec des conducteurs en cuivre, sauf spécification contraire du constructeur, et en utilisant le type de conducteur spécifié pour le connecteur. Si les connexions sont prévues pour tous les types de conducteurs, massifs, toronnés et

souples, les essais doivent être réalisés uniquement avec des conducteurs souples, conformes à l'IEC 60228, classe 5.

6.2.3 Sauf spécification contraire du constructeur, les organes de serrage à vis doivent être serrés au couple stipulé dans le Tableau 5, conformément à l'IEC 60999-1 et à l'IEC 60999-2.

6.2.4 Sauf spécification contraire du programme d'essai, tous les essais doivent être réalisés sur des éprouvettes entièrement montées, conformément aux instructions du constructeur.

Tableau 5 – Couples pour les organes de serrage à vis

| Diamètre nominal de filetage mm |  |  |  |  |  |
|------------------------------------|---|---|--|---|---|
| | I Nm | II Nm | III Nm | IV Nm | V Nm |
| ≤ 1,6 | | | 0,1 | 0,1 | |
| > 1,6 jusqu'à 2,0 | | | 0,2 | 0,2 | |
| > 2,0 jusqu'à 2,8 | 0,2 | | 0,4 | 0,4 | |
| > 2,8 jusqu'à 3,0 | 0,25 | | 0,5 | 0,5 | |
| > 3,0 jusqu'à 3,2 | 0,3 | | 0,6 | 0,6 | |
| > 3,2 jusqu'à 3,6 | 0,4 | | 0,8 | 0,8 | |
| > 3,6 jusqu'à 4,1 | 0,7 | 1,2 | 1,2 | 1,2 | 1,2 |
| > 4,1 jusqu'à 4,7 | 0,8 | 1,2 | 1,8 | 1,8 | 1,8 |
| > 4,7 jusqu'à 5,3 | 0,8 | 1,4 | 2,0 | 2,0 | 2,0 |
| > 5,3 jusqu'à 6,0 | 1,2 | 1,8 | 2,5 | 3,0 | 3,0 |
| > 6,0 jusqu'à 8,0 | 2,5 | 2,5 | 3,5 | 6,0 | 4,0 |
| > 8,0 jusqu'à 10,0 | | 3,5 | 4,0 | 10,0 | 6,0 |
| > 10,0 jusqu'à 12,0 | | 4,0 | | 14,0 | 8,0 |
| > 12,0 jusqu'à 15 | | 5,0 | | 19,0 | 10,0 |

La colonne I s'applique aux vis sans tête qui, si elles sont serrées, ne dépassent pas de l'orifice de la vis, ainsi qu'aux autres vis qui ne peuvent pas être serrées au moyen d'un tournevis dont la lame est plus large que le diamètre de la vis.

La colonne II s'applique aux écrous des dispositifs de serrage à capot taraudé qui sont serrés au moyen d'un tournevis.

La colonne III s'applique aux autres vis serrées au moyen d'un tournevis.

La colonne IV s'applique aux vis et écrous autres que les écrous de dispositifs de serrage à capot taraudé, qui sont serrés par des moyens autres qu'un tournevis.

La colonne V s'applique aux écrous de dispositifs de serrage à capot taraudé qui peuvent être serrés par des moyens autres qu'un tournevis.

Pour les vis à tête hexagonale fendue, lorsque les valeurs des colonnes III et IV sont différentes, l'essai est réalisé deux fois: d'abord sur un ensemble de trois éprouvettes, en appliquant à la tête hexagonale le couple spécifié dans la colonne IV, puis sur un autre ensemble de trois autres éprouvettes, en appliquant le couple spécifié dans la colonne III, au

moyen d'un tournevis. Si les valeurs des colonnes III et IV sont identiques, seul l'essai au moyen d'un tournevis doit être réalisé.

6.3 Réalisation des essais

6.3.1 Généralités

Selon le programme d'essai donné en 6.5, les méthodes d'essai générales spécifiées dans les Tableaux 6 à 12, colonnes 3 et 7, doivent être appliquées, conformément à l'IEC 60512. D'autres essais sont indiqués dans la colonne 4.

6.3.2 Durabilité du marquage

L'essai est effectué en frottant le marquage à la main pendant 15 s avec un chiffon de coton imbibé d'eau, et pendant 15 s encore avec un chiffon de coton imbibé d'essence minérale.

L'essence minérale utilisée est définie comme un solvant d'hexane aliphatique ayant une teneur maximale en carbures aromatiques de 0,1 % en volume, un indice de kauributanol de 29, température initiale d'ébullition de 65 °C, température d'ébullition finale de 69 °C et de masse spécifique d'environ 0,68 kg/l.

Après cet essai, le marquage doit être lisible avec une vue normale ou corrigée, sans grossissement supplémentaire.

Le cas échéant, cet essai doit également être réalisé sur une étiquette supplémentaire portant l'avertissement spécifié en I) de 5.2.1.

Les marquages réalisés par impression, moulage, pressage, gravure ou autre méthode similaire, ne sont pas soumis à cet essai.

6.3.3 Protection contre les chocs électriques

6.3.3.1 Les connecteurs doivent être soumis aux essais en utilisant le calibre d'essai 11, conformément à l'IEC 61032 et avec une force d'essai de 10 N.

Pour l'essai, tous les capots et boîtiers qui peuvent être retirés sans l'usage d'un outil, doivent être retirés.

6.3.3.2 Les essais relatifs au degré de protection, conformément à l'IEC 60529, sont à réaliser avec le connecteur accouplé.

Par ailleurs, l'essai de rigidité diélectrique selon 6.3.8 doit être réalisé dans l'heure qui suit le deuxième essai de catégorie IP (eau).

6.3.4 Échauffement

L'objectif de cet essai est d'évaluer l'aptitude d'un connecteur à transporter de manière permanente le courant assigné sans dépasser la limite supérieure de température.

L'essai doit être réalisé conformément à l'essai 5a de l'IEC 60512, dans les conditions d'essai suivantes.

Conditions d'essai:

- section de conducteur maximale admissible, conformément à la spécification du constructeur. Dans le cas d'une section transversale déclarée avec le même courant assigné, l'essai est appliqué à la section transversale la plus défavorable;
- longueur des câbles d'essai = 500 mm ± 50 mm pour une section transversale ≤ 10 mm²;

- longueur des câbles d'essai = 1 000 mm ± 100 mm pour une section transversale > 10 mm²;
- l'essai doit être réalisé avec le courant assigné, comme spécifié par le constructeur et à une température ambiante de 85 °C ou à la température ambiante maximale spécifiée par le constructeur, si elle est plus élevée;
- l'essai doit se poursuivre jusqu'à ce qu'une température constante soit obtenue.

6.3.5 Fonctionnement mécanique

L'objectif de cet essai est d'évaluer l'endurance mécanique d'un connecteur en mode de fonctionnement normal, sans charge électrique. L'essai doit être réalisé conformément à l'essai 9a de l'IEC 60512, dans les conditions suivantes.

Conditions d'essai:

- les éprouvettes doivent être branchées et débranchées au moyen d'un dispositif de simulation des conditions normales de fonctionnement. La préparation et le montage de l'éprouvette doivent être représentatifs d'une utilisation normale;
- le type et la section transversale du câble/faisceau de fils à utiliser, doivent être spécifiés par le constructeur;
- la vitesse d'insertion et d'extraction doit être d'environ 0,01 m/s, avec une durée de pause en position non accouplée d'environ 30 s.

6.3.6 Essai de pliage (flexion) (voir l'IEC 60309-1:1999, 24,4)

Les connecteurs non démontables doivent être soumis à un essai de flexion dans un appareillage similaire à celui illustré à la Figure 1.

L'éprouvette est fixée à un élément oscillant de l'appareillage de façon à ce que, lorsque ce dernier est à mi-course, l'axe du câble souple qui pénètre dans l'éprouvette soit vertical et passe par l'axe d'oscillation.

L'élément oscillant est positionné de manière à ce que le mouvement latéral du câble souple soit réduit au minimum lorsque l'élément oscillant de l'appareillage d'essai se déplace sur toute sa course.

Le câble est chargé avec une masse, de façon à ce que la force appliquée soit:

- 20 N pour les connecteurs non démontables ayant une section de conducteur > 0,75 mm²,
- 10 N pour les connecteurs non démontables ayant une section de conducteur ≤ 0,75 mm².

Un courant égal au courant assigné du connecteur circule entre les conducteurs.

L'élément oscillant effectue un mouvement de va-et-vient sur un angle de 90° (45° des deux côtés de l'axe vertical). La fréquence de flexion doit être de 60 par minute. Une flexion est un mouvement, soit vers l'avant soit vers l'arrière. Le nombre de flexions est de 100.

Les éprouvettes munies de câbles de sections circulaires doivent pivoter sur environ 90° autour de l'axe vertical dans la partie oscillante après avoir effectué 50 % du nombre de flexions; les éprouvettes munies de câbles plats souples sont pliées uniquement dans un sens perpendiculaire au plan qui contient l'axe du conducteur.

Au cours de cet essai, il ne doit pas y avoir d'interruption du courant d'essai.

Après l'essai, il ne doit y avoir aucun dommage; le manchon de support de câble ne doit pas être desserré du corps et l'isolation ne doit pas présenter de signes d'abrasion, d'usure et de déchirure. Les brins élémentaires rompus ne doivent pas percer l'isolation. Pendant l'essai à haute tension conforme à 6.3.8.b), la tension d'essai ne doit pas être interrompue.

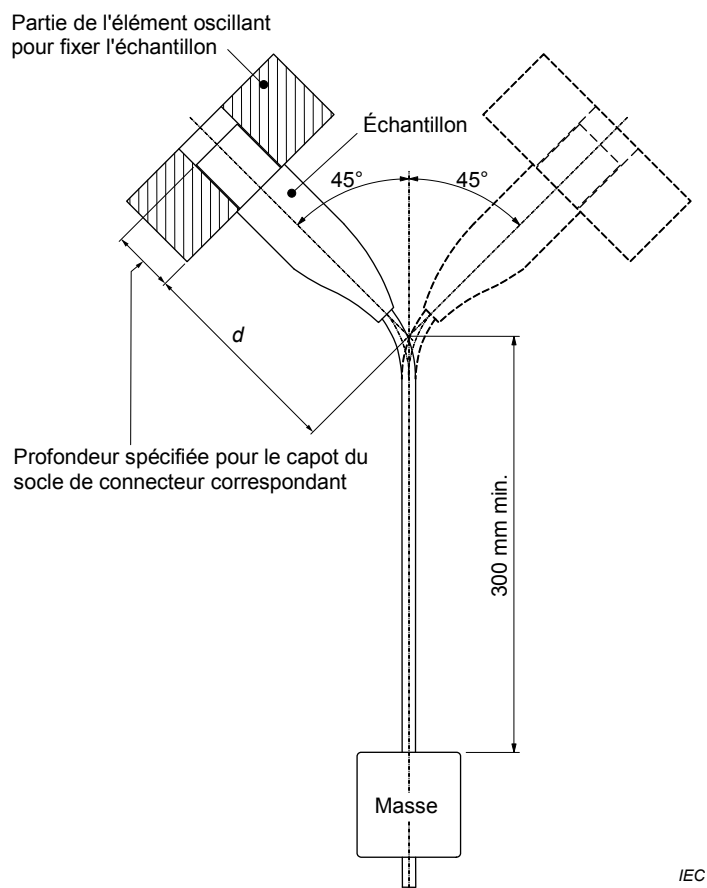


Figure 1 – Dispositif d'essai de flexion

6.3.7 Mesurage des distances d'isolement et des lignes de fuite

Les distances d'isolement et les lignes de fuite doivent être mesurées selon l'Annexe B, en se conformant aux exigences supplémentaires suivantes.

Pour les connecteurs sans pouvoir de coupure, les distances d'isolement et les lignes de fuite vers la surface accessible doivent être mesurées uniquement à l'état accouplé.

Pour les connecteurs multivoie, les exigences de double isolation ou d'isolation renforcée entre parties actives à des potentiels différents, doivent être déterminées à l'état accouplé et non accouplé.

La surface d'un connecteur sans enveloppe à intégrer dans un appareillage ou un dispositif ne doit pas être considérée comme accessible, sauf revendication contraire du constructeur.

6.3.8 Rigidité diélectrique

La tension d'essai est à appliquer entre les bornes de sortie court-circuitées et une feuille métallique enroulée autour de l'éprouvette après un conditionnement adapté. Au cours de l'essai de rigidité diélectrique, la tension d'essai ne doit pas être interrompue. L'isolation doit être soumise aux essais suivants:

a) Essai de tension de tenue aux chocs

L'essai de tension de tenue aux chocs doit être réalisé à une tension de forme d'onde 1,2/50 μ s, conformément à l'IEC 60060-1, en appliquant trois chocs de chaque polarité et à un intervalle d'au moins 1 s entre les chocs. Il convient que l'impédance de sortie du générateur de choc ne soit pas supérieure à 500 Ω . La tension d'essai doit être conforme à la tension de choc assignée selon le Tableau 2.

b) Essai de tension de tenue (IEC 60512-4-1, essai 4a)

L'essai de tension de tenue doit être réalisé en appliquant les tensions de tenue efficaces (50 Hz/60 Hz) d'une valeur efficace de 2 000 V + 4 fois la tension assignée. La durée de l'essai doit être de 1 min.

L'essai de tension de tenue peut également être réalisé en tension continue. C'est la raison pour laquelle la tension d'essai doit être égale à la valeur d'amplitude de la tension alternative.

6.3.9 Essai de corrosion

Pour vérifier la protection des contacts contre les effets d'une atmosphère corrosive, on doit choisir l'un des deux essais alternatifs suivants. Dans les deux cas, les éprouvettes doivent être accouplées.

Essai 1: Corrosion dans un flux de mélange de gaz conformément à l'essai 11g de l'IEC 60512, en choisissant la méthode 1 ou la méthode 4 (voir l'IEC 60512-11-7:2003, Tableau 1)

La durée de l'essai doit être de quatre jours.

Essai 2: Essai au dioxyde de soufre avec condensation générale de l'humidité, conformément à l'ISO 6988.

La durée de l'essai doit être de 24 h (cycle d'essai 1).

6.3.10 Résistance mécanique à la limite inférieure de température

Les éprouvettes et l'appareillage d'essai doivent être conditionnés pendant 5 h à une température de -40 °C (ou à la température ambiante minimale spécifiée par le constructeur, si elle est inférieure) sur une plaque d'acier de 20 mm d'épaisseur. L'essai doit être réalisé immédiatement après la période de stockage en chambre froide.

L'essai doit être réalisé conformément au mode opératoire suivant:

Quatre chocs sur l'éprouvette, d'une énergie de 1 J au moyen d'un appareil d'essai de choc approprié, conforme à l'IEC 60068-2-75, doivent être appliqués en quatre points répartis de manière uniforme sur la circonférence.

L'essai est réussi s'il n'y a aucun dommage visible qui risquerait de compromettre la fonction du connecteur et si l'essai de rigidité diélectrique de 6.3.8 b) est réussi.

6.3.11 Variation de température (IEC 60068-2-14 essai Na)

L'essai doit être réalisé dans une enceinte climatique, sans aucun prétraitement des éprouvettes, selon le mode opératoire suivant:

- 30 min à une température ambiante supérieure minimale spécifiée de $+85\text{ °C} \pm 2\text{ °C}$;
- 30 min à une température ambiante inférieure maximale spécifiée de $-40\text{ °C} \pm 2\text{ °C}$;
- durée du transfert $t_2 \leq 3\text{ min}$;
- nombre de cycles d'essai: 200.

Au cours de l'essai de cycle thermique, le courant assigné doit être appliqué dans les contacts conducteurs.

6.3.12 Essai de chaleur humide

L'essai doit être réalisé conformément à l'IEC 60068-2-78, dans les conditions d'essai suivantes:

Degré de sévérité conforme à l'IEC 61215:2005, 10.13:

- température d'essai: température ambiante supérieure minimale spécifiée de $+85\text{ °C} \pm 2\text{ °C}$
- humidité relative: $+85\% \pm 5\%$
- durée d'essai: 1 000 h

6.3.13 Effort d'insertion et d'extraction

L'essai doit être réalisé avec la partie homologue pertinente, conformément à l'IEC 60512, essai 13b.

La vitesse de manœuvre doit être de 50 mm/min.

L'effort d'extraction mesuré ne doit pas être inférieur à 50 N.

6.3.14 Efficacité du dispositif d'accouplement du connecteur

L'essai doit être réalisé conformément à l'IEC 60512, essai 15f.

La force spécifiée de 80 N doit être appliquée dans le sens du débranchement de la paire accouplée, à un taux de 10 N/s.

Il ne doit pas être possible de débrancher le connecteur.

6.3.15 Connexions de sortie et méthodes de connexion

Les essais applicables suivants doivent être réalisés:

- a) pour les connexions serties,
examens visuels du fût à sertir et essai de résistance à la traction de la connexion sertie, comme spécifié dans l'IEC 60352-2. S'il existe des écarts par rapport à l'IEC 60352-2, la conformité de la résistance à la traction à l'IEC 60352-2 ainsi que celle des dimensions aux spécifications du constructeur, sont vérifiées par essai de manière à satisfaire aux exigences de l'IEC 61984;
- b) et c) pour les connexions autodénudantes,
un examen visuel est effectué sur les pièces neuves pour les bornes autodénudantes conformes à l'IEC 60352-3:1993, 12.1 ainsi que pour les bornes autodénudantes non accessibles sans soudure conformes à l'IEC 60352-4:1994, 12.2.4.
Les essais électriques et thermiques sont réalisés conformément à l'IEC 61984;
- d) pour les connexions insérées à force,
examen visuel et contrôle dimensionnel de la borne pour connexion insérée à force et essai d'extraction comme spécifié dans l'IEC 60352-5;
- e) pour les connexions à perçement d'isolant conformes à l'IEC 60352-6 ou à l'IEC 60998-2-3;
- f) pour les organes de serrage sans vis,
essais mécaniques sur le raccordement du conducteur comme spécifié dans l'IEC 60999-1 ou dans l'IEC 60999-2
ou dans l'IEC 60352-7;
- g) pour les organes de serrage à vis,
essais mécaniques sur le raccordement du conducteur comme spécifié dans l'IEC 60999-1 ou dans l'IEC 60999-2.

Pour les conducteurs préparés, les instructions de préparation fournies par le constructeur s'appliquent;
- h) pour les bornes plates à connexion rapide,

contrôles dimensionnels et essais de sécurité comme spécifié dans l'IEC 61210, dans la mesure applicable.

Le contrôle dimensionnel est réalisé conformément à l'IEC 61210. Le contrôle de la conformité dimensionnelle est la vérification de la sécurité de la connexion conformément à l'IEC 61984. Les exigences du contrôle sont satisfaites si les dimensions sont conformes à la spécification.

Il peut être utilisé des bornes plates à connexion rapide, qui ne sont absolument pas conçues conformément à l'IEC 61210 si le programme d'essai satisfait aux exigences de l'IEC 61984.

Les essais électriques et thermiques des connexions doivent être réalisés conjointement à l'essai du connecteur.

6.4 Programme d'essai (individuel de série) des fiches pour câbles non démontables

Pour les fiches pour câbles non démontables, on doit s'assurer que les parties actives, par exemple des brins libres, ne peuvent pas devenir accessibles. Si ceci ne peut pas être assuré par la conception ou par le processus de fabrication, chaque connecteur fabriqué doit être soumis à l'essai suivant.

La surface extérieure accessible du connecteur, à l'exception de la face de branchement du connecteur mâle, doit être balayée par des électrodes plans à une force de 20 N, et à chaque fois la tension spécifiée de tenue aux chocs du connecteur doit être appliquée entre toutes les parties actives et ces électrodes, conformément au 6.3.8.

En variante, la tension de tenue en valeur efficace spécifiée, conformément au 6.3.8, doit être appliquée pendant au moins trois cycles complets (60 ms).

Il ne doit pas y avoir de claquage ou de contournement.

6.5 Programme d'essai

**Tableau 6 – Groupe d'essais mécaniques A
(groupe A d'essais indépendants les uns des autres)**

| 1 | 2 | 3 | 4 | 5 | 6 | 7 | 8 |
|---------------|--|--------------------|-------------|--|--|--------------------|---|
| Phase d'essai | Désignation | IEC 60512 essai n° | Essai selon | Sévérité ou conditions | Mesures à effectuer | | Exigences |
| | | | | | Désignation ou intitulé | IEC 60512 essai n° | |
| A1.1 | | | | Le cas échéant, tout couvercle existant doit être retiré | Examen visuel et contrôle dimensionnel | 1a, 1b | 5.2.3 Les dimensions doivent être conformes à la spécification du constructeur |
| A1.2 | Distances d'isolement et lignes de fuite | | 6.3.7 | Mesurage des distances d'isolement et des lignes de fuite selon l'Annexe B | Contrôle dimensionnel | | 5.18 Les dimensions doivent satisfaire à 5.18 |
| A2 | Durabilité du marquage | | 6.3.2 | À l'œil nu | Examen visuel | 1a | Marquages selon 5.2 |
| A3 | Polarisation | 13e | | Force d'essai: 20 N ou 1,5 fois l'effort d'insertion, en utilisant la valeur la plus élevée, mais dans tous les cas 80 N au plus | | | 5.3 |
| | | | | | Examen visuel | 1a | Aucune détérioration susceptible de compromettre la fonction |

| 1 | 2 | 3 | 4 | 5 | 6 | 7 | 8 |
|---------------|--|--------------------|-------------|--|-------------------------|--------------------|--|
| Phase d'essai | Désignation | IEC 60512 essai n° | Essai selon | Sévérité ou conditions | Mesures à effectuer | | Exigences |
| | | | | | Désignation ou intitulé | IEC 60512 essai n° | |
| A4 | Connexions de sortie | | 6.3.15 | Vérification sur la base du rapport d'essai ou essai minimal | | | 5.5 |
| A5 | Maintien des contacts dans le corps | 15a | | La charge d'essai doit être égale à trois fois l'effort d'insertion spécifié (accouplement) d'un contact ou l'effort d'insertion spécifié d'un contact plus 50 N, en retenant la valeur la plus faible. La charge d'essai minimale ne doit pas être inférieure à 20 N. | | | 5.15.2 |
| | | | | | Examen visuel | 1a | Aucun déplacement axial susceptible de compromettre le fonctionnement normal |
| A6.1 | Serre-câble (traction) | 17 c | | | Examen visuel | 1a | 5.14, Tableau 1 |
| A6.2 | Serre-câble (torsion) | 17 d | | | Examen visuel | 1a | 5.14, Tableau 1 |
| A7 | Résistance mécanique aux chocs | 7b | | Fiches pour câble uniquement. Hauteur de chute: – 750 mm pour des éprouvettes d'une masse ≤ 250 g, – 500 mm pour des éprouvettes d'une masse > 250 g. Cycles de chute: 8 Positions par incréments de 45°; un cycle par position | | | |
| | | | | | Examen visuel | 1a | Les parties utilisées comme protection contre les chocs électriques ne doivent pas être endommagées. Il n'est pas admis de réduction des distances d'isolement et des lignes de fuite. |
| A8 | Résistance mécanique à la limite inférieure de température | | 6.3.10 | Température d'essai: limite inférieure de température spécifiée pour l'éprouvette Durée d'essai: 5 h | | | 5.15 |
| | | | | | Examen visuel | 1a | |
| | | | | | Rigidité diélectrique | | 6.3.8 b) |
| A9 | Effort d'insertion et d'extraction | 13 b | 6.3.13 | Uniquement pour les connecteurs sans dispositifs d'accouplement ou de verrouillage | | | effort d'extraction mesuré non inférieur à 50 N |
| A10 | Efficacité du dispositif d'accouplement du connecteur | 15 f | 6.3.14 | Uniquement pour les connecteurs avec dispositifs d'accouplement ou de verrouillage | Examen visuel | | 5.17 Aucune détérioration susceptible de compromettre la fonction |

NOTE Le groupe d'essais A est constitué d'essais indépendants. Il n'y a pas d'ordre exigé pour la réalisation de l'essai.

Tableau 7 – Groupe d'essais B – Durée de vie

| 1 | 2 | 3 | 4 | 5 | 6 | 7 | 8 |
|---------------|--------------------------|--------------------|-------------|---|-------------------------|--------------------|--|
| Phase d'essai | Désignation | IEC 60512 essai n° | Essai selon | Sévérité ou conditions | Mesures à effectuer | | Exigences |
| | | | | | Désignation ou intitulé | IEC 60512 essai n° | |
| B1 | Mesurages initiaux | | | Courant d'essai: 1 A Points de mesure: À l'extrémité de la connexion de sortie. Au maximum trois contacts par éprouvette | Résistance des contacts | 2b | Valeur de référence pour des mesurages ultérieurs |
| B2 | Fonctionnement mécanique | 9a | 6.3.5 | | | | 5.11 |
| | | | | | Examen visuel | 1a | Aucune détérioration susceptible de compromettre la fonction |
| B3 | Mesurages finaux | | | Conditions identiques à celles de la phase d'essai B1 | Résistance des contacts | 2b | La résistance de contact ne doit pas s'écarter de plus de 50 % de la valeur de référence ou $\leq 5 \text{ m}\Omega$. La valeur supérieure est admissible. |
| | | | 6.3.8 | Points de mesure ^b : Entre contacts Entre contact et terre ^a | Tension de tenue | 4a | 5.10 Il ne doit pas y avoir de claquage ou de contournement |

^a Le terme terre s'entend au sens de parties métalliques non actives (par exemple, dispositifs de fixation/boîtiers/surfaces accessibles).

^b Points de mesure: Au niveau des conducteurs, aussi près que possible des connexions de sortie. Si cela n'est pas possible, la résistance du conducteur doit être de nouveau calculée.

Tableau 8 – Groupe d'essais C – Durée de vie

| 1 | 2 | 3 | 4 | 5 | 6 | 7 | 8 |
|---------------|------------------|--------------------|-------------|--|-------------------------|--------------------|--|
| Phase d'essai | Désignation | IEC 60512 essai n° | Essai selon | Sévérité ou conditions | Mesures à effectuer | | Exigences |
| | | | | | Désignation ou intitulé | IEC 60512 essai n° | |
| C1 | Essai de flexion | | 6.3.6 | Connecteurs non démontables uniquement | | | 6.3.6 |
| | | | | | Examen visuel | 1a | Aucune détérioration susceptible de compromettre la fonction |
| C2 | Mesurages finaux | | 6.3.8 b) | Points de mesure: Extrémité de câble/feuille métallique | Tension de tenue | 4a | Il ne doit pas y avoir de claquage ou de contournement |

| | | | | | | | |
|--|--|--|--|--|---------------|----|---|
| | | | | | Examen visuel | 1a | Il ne faut pas que le manchon de support de câble se desserre du corps, qu'il y ait de signes d'abrasion, d'usure et de déchirure de l'isolation, les brins élémentaires rompus ne doivent pas percer l'isolation |
|--|--|--|--|--|---------------|----|---|

Tableau 9 – Groupe d'essais D – Essais thermiques (épreuve d'essai accouplée)

| 1 | 2 | 3 | 4 | 5 | 6 | | 7 | 8 | | | | | | |
|----|----------------------|-----|-------|---|-------------------------|-------------|--|---|--------------------|-------------|------------------------|-------------------------|--------------------|-----------|
| | | | | | Phase d'essai | Désignation | | | IEC 60512 essai n° | Essai selon | Sévérité ou conditions | Mesures à effectuer | | Exigences |
| | | | | | | | | | | | | Désignation ou intitulé | IEC 60512 essai n° | |
| D1 | Mesurages initiaux | | | Courant d'essai: 1 A Points de mesure: À l'extrémité de la connexion de sortie. Au maximum trois contacts par éprouvette | Résistance des contacts | 2b | Valeur de référence pour des mesurages ultérieurs | | | | | | | |
| D2 | Essai d'échauffement | 5a | 6.3.4 | | | | 5.13 La limite supérieure de température spécifiée ne doit pas être dépassée | | | | | | | |
| D3 | Chaleur sèche | 11i | | Température d'essai: Limite supérieure de température spécifiée pour l'éprouvette Durée d'essai: 1 000 h | | | | | | | | | | |
| D4 | Mesurages finaux | | | Le cas échéant, tout couvercle existant doit être retiré | Examen visuel | 1a | Aucune détérioration susceptible de compromettre la fonction | | | | | | | |
| | | | | Mêmes conditions qu'en D1 | Résistance des contacts | 2 b | La résistance de contact ne doit pas s'écarter de plus de 50 % de la valeur de référence ou $\leq 5 \text{ m}\Omega$. La valeur supérieure est admissible. | | | | | | | |

**Tableau 10 – Groupe d'essais E – Essais climatiques
(épreuve d'essai accouplée)**

| 1 Phase d'essai | 2 Désignation | 3 IEC 60512 essai n° | 4 Essai selon | 5 Sévérité ou conditions | 6 Mesures à effectuer | | 7 Exigences |
|-----------------------|--------------------------|--|---------------------|---|-------------------------------|-----------------------|---|
| | | | | | Désignation ou intitulé | IEC 60512 essai n° | |
| | | | | | | | |
| E2 | Variation de température | | 6.3.11 | Limite supérieure de température: +85 °C Limite inférieure de température: -40 °C Nombre de cycles d'essai: 200 | Examen visuel | 1a | Aucune détérioration susceptible de compromettre la fonction |
| E3 | Chaleur humide | | 6.3.12 | Température d'essai: +85 °C Humidité relative: 85 % Durée d'essai: 1 000 h | Examen visuel | 1a | Aucune détérioration susceptible de compromettre la fonction |
| E4 | Rigidité diélectrique | | 6.3.8 a) ou b) | Points de mesure ^b : Entre contacts Entre contact et terre ^a Les valeurs de la tension d'essai (tension de tenue aux chocs) conformes au Tableau 2 pour la double isolation ou l'isolation renforcée doivent être appliquées | a) Tension de tenue aux chocs | | 5.10 Pas de contournement ou de claquage |
| | | | | Points de mesure ^b : Entre contacts Entre contact et terre ^a | b) Tension de tenue | | |
| E5 | Essai de corrosion | 11 g | 6.3.9 | Essai 1 | | | 5.20.1 |
| | | Méthode alternative: Essai de corrosion conformément à l'ISO 6988 | 6.3.9 | Essai 2 | Examen visuel | 1a | Aucune détérioration susceptible de compromettre la fonction |
| E6 | Mesurages finaux | | | Conditions identiques à celles de la phase d'essai E1 | Résistance des contacts | 2b | La résistance de contact ne doit pas s'écarter de plus de 50 % de la valeur de référence ou ≤ 5 mΩ. La valeur supérieure est admissible. |

^a Le terme terre s'entend au sens de parties métalliques non actives (par exemple, dispositifs de fixation/boîtiers/surfaces accessibles).

^b Points de mesure: Au niveau des conducteurs, aussi près que possible des connexions de sortie. Si cela n'est pas possible, la résistance du conducteur doit être de nouveau calculée.

Tableau 11 – Groupe d'essais F – Degré de protection

| 1 | 2 | 3 | 4 | 5 | 6 | 7 | 8 |
|---------------|--------------------------------|--------------------|-------------|---|-------------------------|--------------------|--|
| Phase d'essai | Désignation | IEC 60512 essai n° | Essai selon | Sévérité ou conditions | Mesures à effectuer | | Exigences |
| | | | | | Désignation ou intitulé | IEC 60512 essai n° | |
| F1 | Degré de protection | | 6.3.3.1 | Calibre d'essai 11 conforme à l'IEC 61032 avec une force d'essai de 10 N | | | Aucune partie active ne doit être accessible 5.4.2 |
| F2 | Degré de protection Code IP | | 6.3.3.2 | Code IP comme spécifié par le constructeur | | | 5.9 Connecteur accouplé |
| F3 | Rigidité diélectrique | | 6.3.8 b) | La tension d'essai doit être appliquée entre toutes les parties actives et la surface accessible. | Tension de tenue | 4a | 5.10 Pas de contournement ou de claquage |

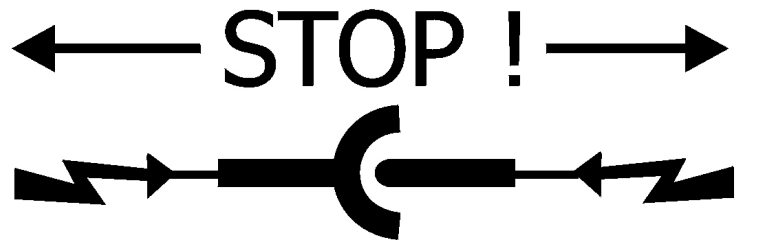
Tableau 12 – Groupe d'essais G – Matériau isolant

| 1 | 2 | 3 | 4 | 5 | 6 | 7 | 8 |
|---------------|----------------------------|--------------------|-------------|---|-------------------------|--------------------|---|
| Phase d'essai | Désignation | IEC 60512 essai n° | Essai selon | Sévérité ou conditions | Mesures à effectuer | | Exigences |
| | | | | | Désignation ou intitulé | IEC 60512 essai n° | |
| G1 | Résistance aux intempéries | | | Essai selon la méthode ISO 4892-2 Éclairement énergétique: 60 W/m ² Longueur d'onde: 300 nm – 400 nm Température de corps noir normalisé: 65 °C Humidité relative: 65 % Cycle: 18 min de pulvérisation, 102 min de séchage à la lampe au xénon Durée totale: 500 h ou Essai selon l'ISO 4892-3 | Examen visuel | | 5.19.2 b) Pas de fissures Marquage encore lisible |
| G2 | Rigidité diélectrique | | 6.3.8 b) | La tension d'essai doit être appliquée entre toutes les parties actives et la surface accessible. | Tension de tenue | 4a | 5.10 Pas de contournement ou de claquage |
| G3 | Inflammabilité | | | Matériau isolant pour le boîtier extérieur. Certificat du fournisseur du matériau ou essai conformément à l'IEC 60695-11-10 | | | 5.19.2 a) |
| | | | | Essai au fil incandescent, conformément à l'IEC 60695-2-11 Température d'essai: 650 °C | | | 5.19.2 c) Pas d'inflammation |
| G4 | Inflammabilité | | | Matériau isolant maintenant les parties actives en place. Certificat du fournisseur ou essai conformément à l'IEC 60695-11-10 | | | 5.19.3 a) |
| | | | | Essai au fil incandescent, conformément à l'IEC 60695-2-11 Température d'essai: 750 °C | | | 5.19.3 c) Pas d'inflammation |

Annexe A (informative)

Symboles d'avertissement utilisés sur les connecteurs

Les symboles suivants (voir Figures A.1 et A.2) peuvent être utilisés pour indiquer qu'un connecteur photovoltaïque conforme à la présente Norme ne doit pas être débranché sous charge.



IEC

Figure A.1 – Symbole "NE PAS DÉBRANCHER SOUS CHARGE"

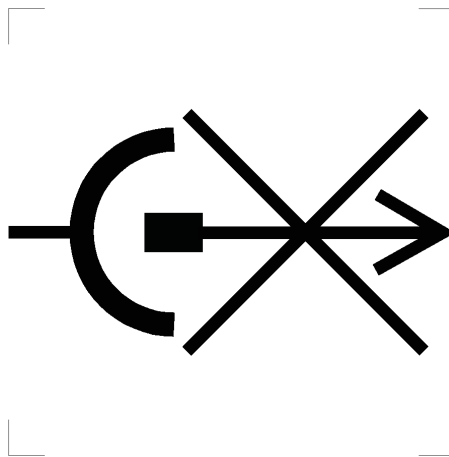


Figure A.2 – Symbole "NE PAS DÉBRANCHER SOUS TENSION"
(IEC 60417-6070 (2014-06))

Annexe B (normative)

Mesurage des distances d'isolement et des lignes de fuite

Les méthodes de mesure des distances d'isolement et des lignes de fuite sont indiquées dans les exemples suivants 1 à 11 (voir Figure B.1). Ces cas n'établissent pas de distinction entre les interstices et les rainures ou entre les types d'isolation.

Les hypothèses suivantes sont formulées:

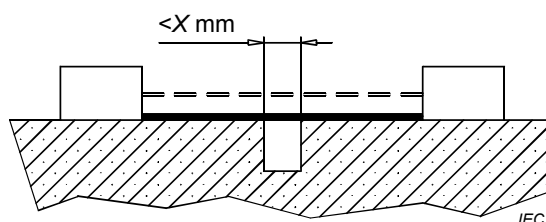
- a) si la distance entre les bords d'une rainure est supérieure ou égale X (voir Tableau B.1), les lignes de fuite sont mesurées le long des contours de la rainure (voir exemple 2);
- b) tout retrait est supposé être couvert par un maillon en matière isolante d'une longueur égale à X et placé dans la position la moins favorable (voir exemple 3);
- c) les distances d'isolement et les lignes de fuite mesurées entre les parties pouvant prendre différentes positions les unes par rapport aux autres sont mesurées lorsque ces parties sont dans leur position la moins favorable.

Dans les exemples suivants, la dimension X a la valeur indiquée dans le Tableau B.1 selon le degré de pollution.

Tableau B.1 – Dimensions de X

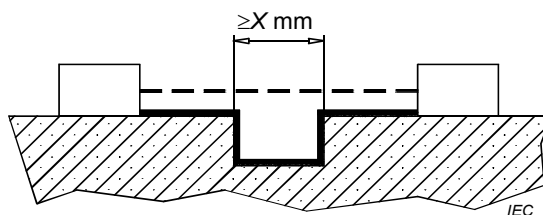
| Degré de pollution | Dimension X mm |
|--------------------|------------------|
| 1 | 0,25 |
| 2 | 1,0 |
| 3 | 1,5 |

Si la distance d'isolement associée est inférieure à 3 mm, la dimension X du Tableau B.1 peut être réduite à un tiers de cette valeur de distance d'isolement.



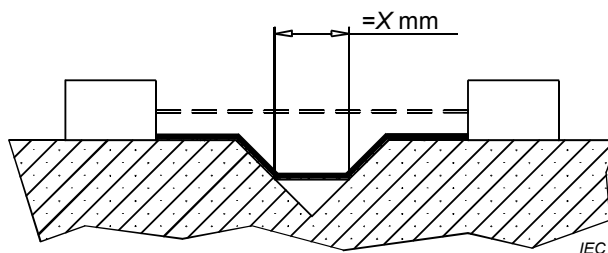
EXEMPLE 1 Le chemin comprend une rainure à côtés parallèles ou convergents d'une profondeur quelconque et d'une largeur inférieure à X .

La distance d'isolement et la ligne de fuite sont mesurées directement entre les bords de la rainure comme illustré.



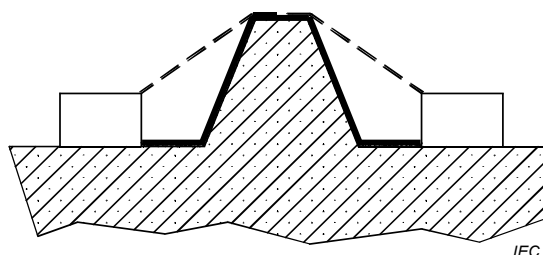
EXEMPLE 2 Le chemin comprend une rainure à côtés parallèles d'une profondeur quelconque et d'une largeur supérieure ou égale à X.

La distance d'isolement est la distance de la "ligne de vision directe". La ligne de fuite suit le contour de la rainure.



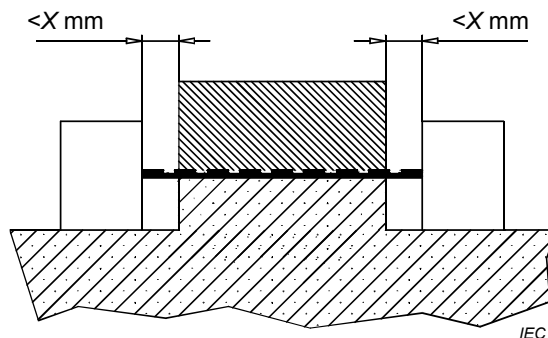
EXEMPLE 3 Le chemin comprend une rainure en V d'une largeur supérieure à X.

La distance d'isolement est la distance de la "ligne de vision directe". La ligne de fuite suit le contour de la rainure mais "court-circuite" le fond de la rainure par la liaison X.



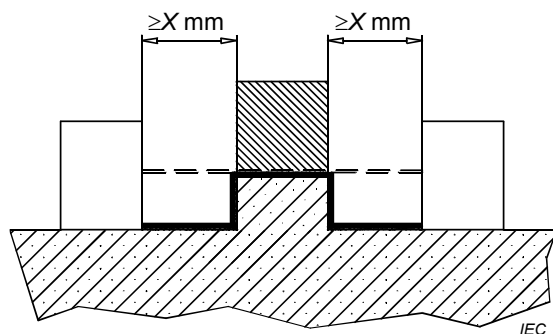
EXEMPLE 4 Le chemin comprend une nervure.

La distance d'isolement est le chemin direct dans l'air le plus court au-dessus de la nervure. La ligne de fuite suit le contour de la nervure.



EXEMPLE 5 Le chemin comprend un joint non cimenté avec des rainures d'une largeur inférieure à X de part et d'autre.

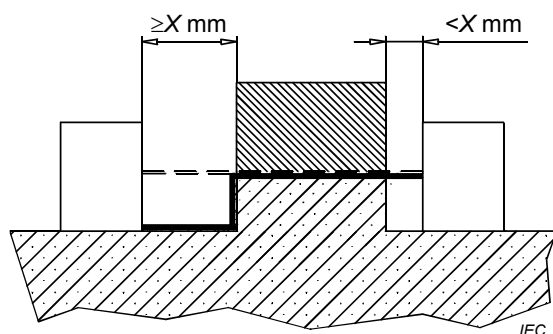
Le chemin de la distance d'isolement et de la ligne de fuite représente la distance de la "ligne de vision directe" illustrée.



EXEMPLE 6 Le chemin comprend un joint non cimenté avec des rainures d'une largeur égale ou supérieure à X .

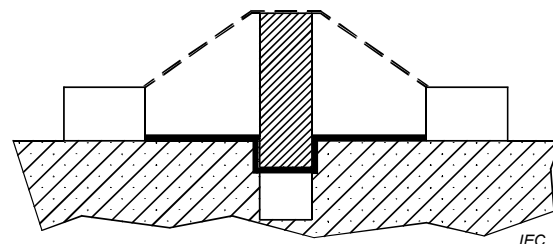
La distance d'isolement est la distance de la "ligne de vision directe".

La ligne de fuite suit le contour des rainures.



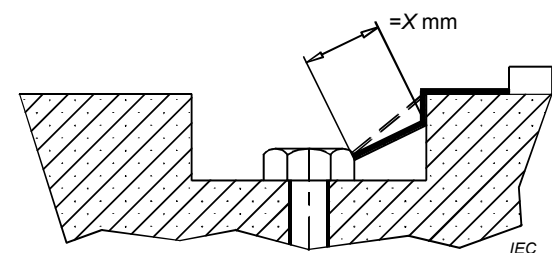
EXEMPLE 7 Le chemin comprend un joint non cimenté avec, d'un côté, une rainure d'une largeur inférieure à X , et de l'autre côté, une rainure d'une largeur égale ou supérieure à X .

La distance d'isolement et la ligne de fuite sont telles qu'illustrées.

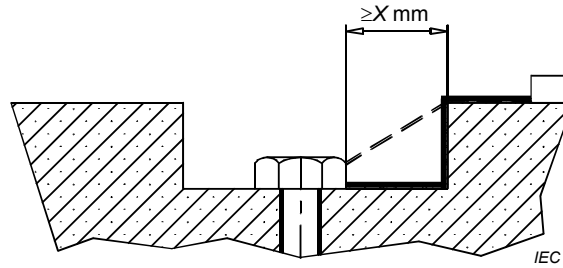


EXEMPLE 8 La ligne de fuite entre les bords du joint non cimenté est inférieure à la ligne de fuite située au-dessus de la barrière.

La distance d'isolement est le chemin direct dans l'air le plus court, au-dessus de la barrière.

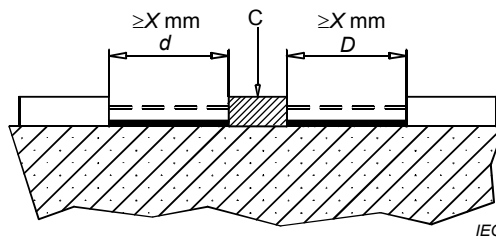


EXEMPLE 9 L'interstice entre la tête de la vis et la paroi du retrait est trop étroit pour être pris en compte.



EXEMPLE 10 L'interstice entre la tête de la vis et la paroi du retrait est suffisamment large pour être pris en compte.

Le mesurage de la ligne de fuite est effectué entre la vis et la paroi lorsque la distance est égale à X.



EXEMPLE 11 C = partie flottante

La distance d'isolement est la distance $d + D$. La ligne de fuite est également $d + D$.

- Ligne de fuite
- - - - - Distance d'isolement

Figure B.1 – Exemples de méthodes de mesurage des distances d'isolement et des lignes de fuite

Bibliographie

IEC 60068-2-70:1995, *Essais d'environnement – Partie 2-70: Essais – Essai Xb: Effacement des marquages et inscriptions par friction des doigts et des mains*

IEC 60112:2003, *Méthode de détermination des indices de résistance et de tenue au cheminement des matériaux isolants solides*

IEC 60364-4-41:2005, *Installations électriques à basse tension – Partie 4-41: Protection pour assurer la sécurité – Protection contre les chocs électriques*

IEC 60364-5-51:2005, *Installations électriques des bâtiments – Partie 5-51: Choix et mise en œuvre des matériels électriques – Règles communes*

IEC 60364-5-54:2011, *Installations électriques basse-tension – Partie 5-54: Choix et mise en oeuvre des matériels électriques - Installations de mise à la terre et conducteurs de protection*

IEC 60417, *Symboles graphiques utilisables sur le matériel*, disponible à: <http://www.graphical-symbols.info/equipment>

IEC TR 60664-2-1, *Coordination de l'isolement des matériels dans les systèmes (réseaux) à basse tension – Partie 2-1: Guide d'application – Explication de l'application de la série CEI 60664, exemples de dimensionnement et d'essais diélectriques*

IEC 60884-1:2002, *Prises de courant pour usages domestiques et analogues – Partie 1: Règles générales*

IEC 61730-1:2004, *Qualification pour la sûreté de fonctionnement des modules photovoltaïques (PV) – Partie 1: Exigences pour la construction*

IEC 61730-2, *Qualification pour la sûreté de fonctionnement des modules photovoltaïques (PV) – Partie 2: Exigences pour les essais*

INTERNATIONAL
ELECTROTECHNICAL
COMMISSION

3, rue de Varembé
PO Box 131
CH-1211 Geneva 20
Switzerland

Tel: + 41 22 919 02 11
Fax: + 41 22 919 03 00
info@iec.ch
www.iec.ch